



Includes :

Snare Stands	Percussion Stands
Hi-Hat Stands	Practice Pad Kits
Cymbal Stands	Bass Drum Pedals
Drum Thrones	Rack System Parts



# Gibraltar Spare Parts Catalog

2002 EDITION

**KAMAN**  
music corporation



# Spare Parts Catalog

Effective June 1, 2002

## CONTENTS

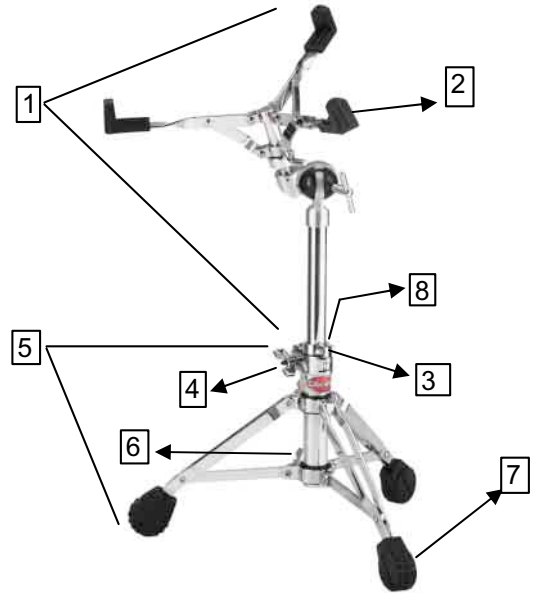
	Page(s)
Snare Stands .....	1 - 3
Hi-Hat Stands .....	4 - 12
Cymbal Stands .....	13 - 17
Specialty Stands .....	18
Drum Thrones .....	19 - 23
Percussion Stands .....	24 - 28
Practice Pad Sets .....	29
Bass Drum Pedals .....	30 - 39
Rack System Parts & Accessories .....	40

Notes: Specifications subject to change without prior notice. For more product information visit Kaman Music online at "[www.kamanmusic.com](http://www.kamanmusic.com)"

## Snare Stands

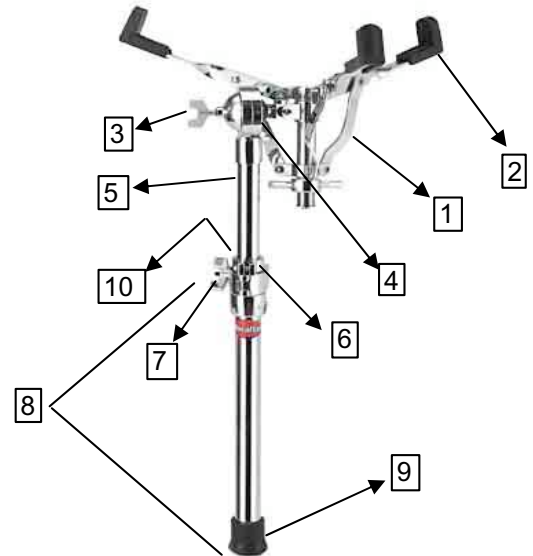
### 9506

Part #	Description
1 # GP-5245	SNARE BASKET W/ UPPER TUBE COMPLETE
2 # GP-0072	RUBBER SLEEVE
3 # GP-2080	1" MEMORY LOCK
4 # GP-5117	BOLT SET, LONG
5 # GP-0104	LOWER BASE ASSEMBLY COMPLETE
6 # GP-0009	WING SCREW
7 # SC-PC09	RUBBER FOOT
8 # GP-2002	1" INNER BUSHING



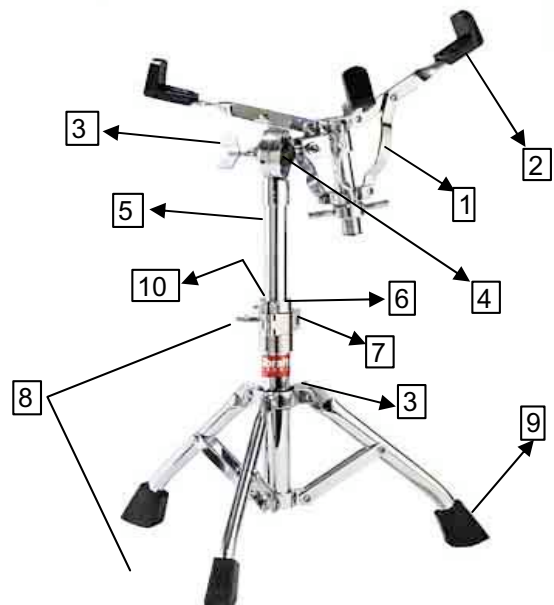
### 9506NL

Part #	Description
1 # GP-5013	SNARE BASKET
2 # GP-0072	RUBBER SLEEVE
3 # GP-0009	WING SCREW
4 # GP-2001	SNARE BASKET ABS BALL
5 # GP-0090	BASKET SHAFT W/ WING SCREW
6 # GP-2080	1" MEMORY LOCK
7 # GP-5117	BOLT SET, LONG
8 # GP-5246	BASE TUBE FOR NO LEG SNARE STAND
9 # GP-5247	RUBBER FOOT
10 # GP-2002	1" INNER BUSHING



### 7506

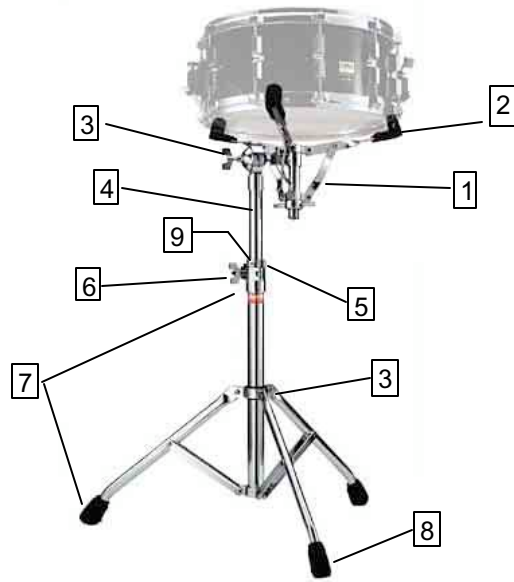
Part #	Description
1 # GP-5013	SNARE BASKET
2 # GP-0072	RUBBER SLEEVE
3 # GP-0009	WING SCREW
4 # GP-2001	SNARE BASKET ABS BALL
5 # GP-0090	BASKET SHAFT W/ WING SCREW
6 # GP-2080	1" MEMORY LOCK
7 # GP-5117	BOLT SET, LONG
8 # GP-0091	LOWER BASE ASSEMBLY COMPLETE
9 # SC-PC08	RUBBER FOOT
10 # GP-2002	1" INNER BUSHING



## Snare Stands

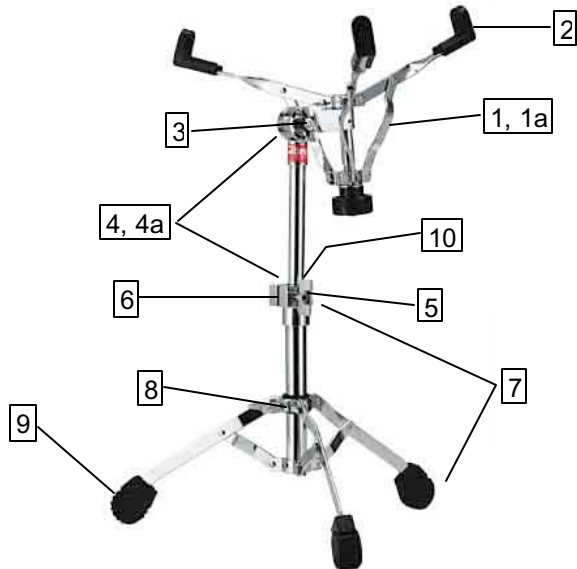
### 7506EX

Part #	Description
1 # GP-5013	SNARE BASKET
2 # GP-0072	RUBBER SLEEVE
3 # GP-0009	WING SCREW
4 # GP-5015	EXTENDED HEIGHT ADJUST TUBE COMPLETE
5 # GP-2080	1" MEMORY LOCK
6 # GP-5117	BOLT SET, LONG
7 # GP-2008	LOWER BASE ASSEMBLY COMPLETE
8 # SC-PC08	RUBBER FOOT
9 # GP-2002	1" INNER BUSHING



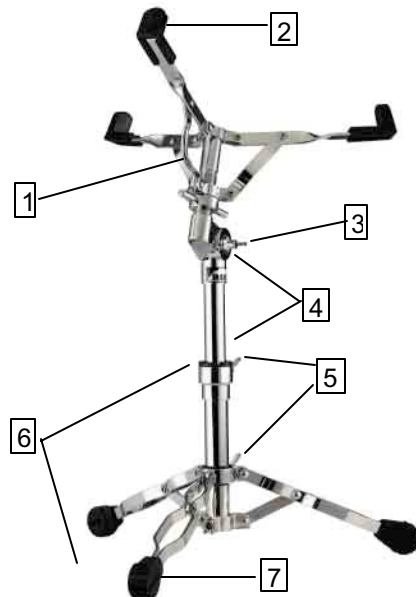
### JZ06

Part #	Description
1 # GP-4040	SNARE BASKET (PRE 2001)
1a # GP-5179	GEARLESS SNARE BASKET (2001 PRODUCTION)
2 # GP-5000	RUBBER SLEEVE
3 # GP-4042	TILTER RATCHET HARDWARE
4 # GP-4043	BASKET SHAFT (PRE 2001)
4a # GP-5153	GEARLESS BASKET SHAFT (2001 PRODUCTION)
5 # GPR009	BOLT SET
6 # GP-2005	3/4" INNER BUSHING
7 # GP-4044	LOWER BASE ASSEMBLY COMPLETE
8 # GP-0009	WING SCREW
9 # GP-4045	RUBBER FOOT
10 # GP-2005	3/4" INNER BUSHING



### RB06

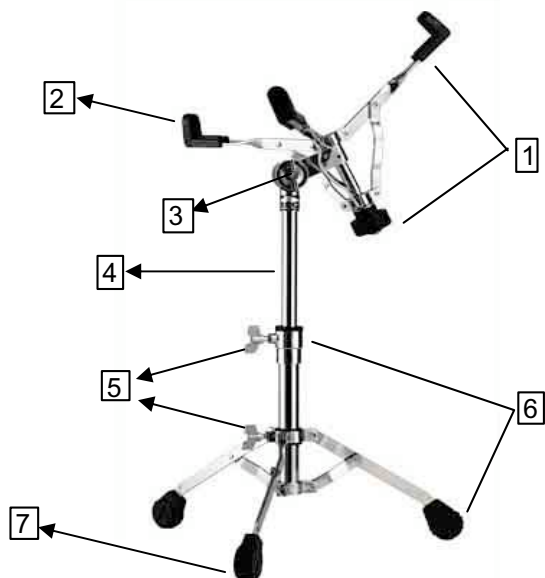
Part #	Description
1 # RP-0018	SNARE BASKET
2 # GP-0072	RUBBER SLEEVE
3 # RP-0021	TILTER RATCHET HARDWARE
4 # RP-0019	BASKET SHAFT
5 # GP-0009	WING SCREW
6 # RP-0022	LOWER BASE ASSEMBLY COMPLETE
7 # RP-0003	RUBBER FOOT



## Snare Stands

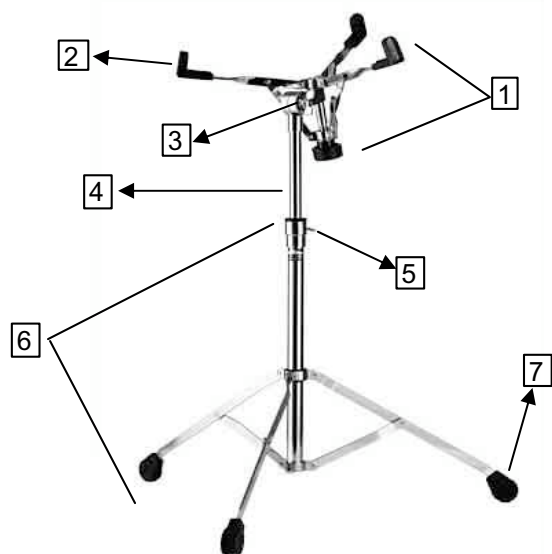
### RBG06S

	Part #	Description
1	# GP-4040	SNARE BASKET
2	# GP-5000	RUBBER SLEEVE
3	# GP-5114	TILTER RATCHET HARDWARE
4	# GP-4043	BASKET SHAFT
5	# GP-0009	WING SCREW
6	# RP-0001	LOWER BASE ASSEMBLY COMPLETE
7	# RP-0048	RUBBER FOOT



### RBG06EX

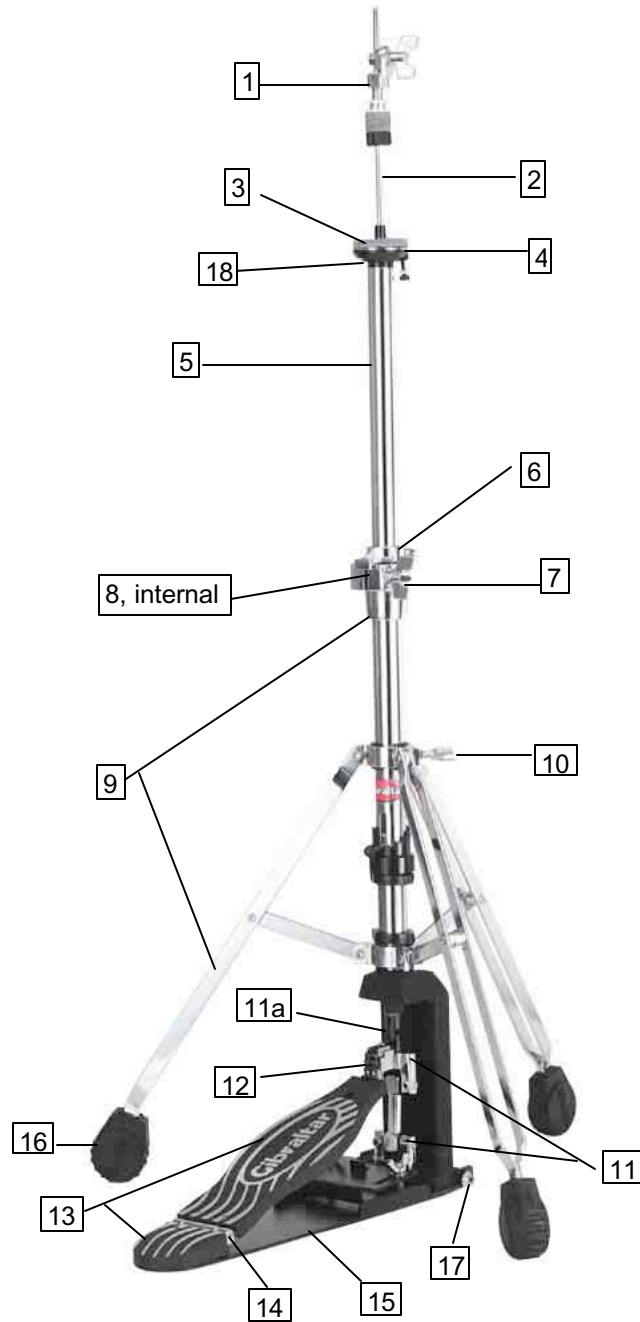
	Part #	Description
1	# GP-4040	SNARE BASKET
2	# GP-5000	RUBBER SLEEVE
3	# GP-5114	TILTER RATCHET HARDWARE
4	# GP-4043	BASKET SHAFT
5	# GP-0009	WING SCREW
6	# RP-0002	LOWER BASE ASSEMBLY COMPLETE
7	# RP-0048	RUBBER FOOT



## Hi-Hat Stands

### 9707LH Hi-Hat Stand

Part #	Description
1 # SC-4420S	SUPER CLUTCH
2 # GP-0016	UPPER PULL ROD
3 # SC-HF-4	CUP FELT
4 # SC-HHFW	FLAT METAL WASHER
5 # GP-0017	UPPER TUBE
6 # GP-2080	MEMORY LOCK 1"
7 # GP-5117	BOLT SET, LONG
8 # GP-2002	1" INNER BUSHING
9 # GP-5165	LOWER BASE ASSEMBLY
10 # GP-0009	WING SCREW
11 # GP-5248	NEW LH ROCKER MECHANISM
11a # GP-5010	U-JOINT FOR LH ROCKER MECH
12 # GP-5006	SHORT CHAIN FOR LH MECH
13 # GP-5200	HINGED PEDAL BOARD COMPLETE
14 # SC-2000	PEDAL HINGE WITH SCREWS
15 # GLHRP2	ROCK PLATE WITH STABILIZING BRACKET
16 # SC-PC09	ROUND RUBBER FOOT
17 # GP-5242	ROCK PLATE SCREW KIT F/ 3 HOLE PLATE
18 # SC-4980J	HI-HAT CYMBAL SEAT



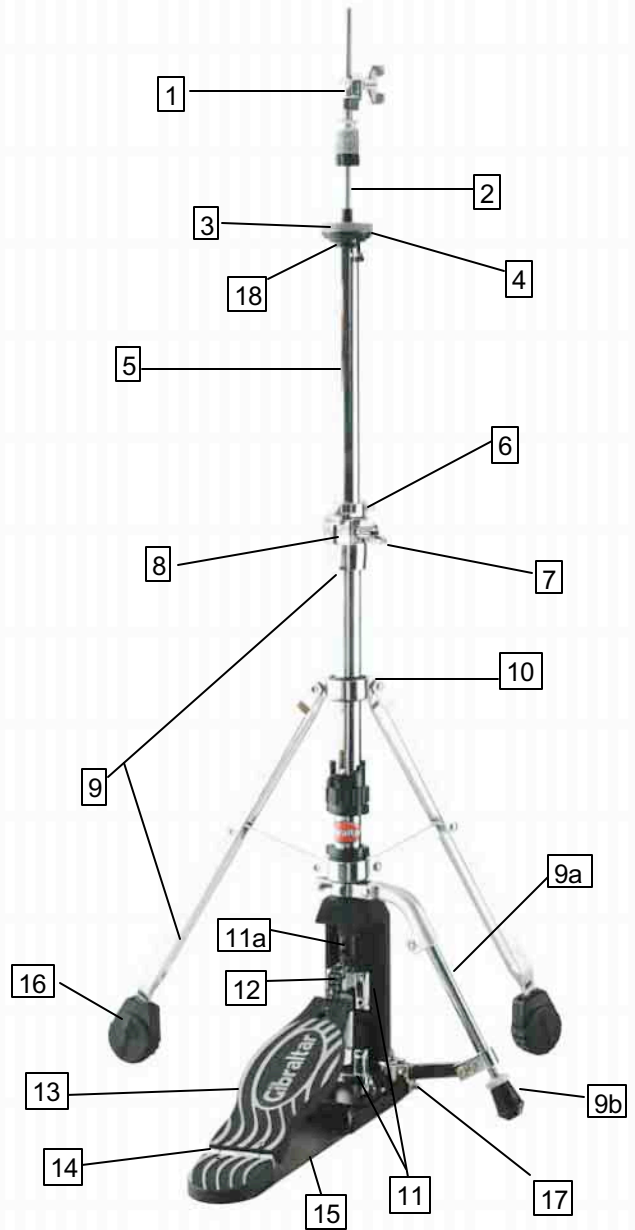
#### NOTES:

Part # 17 "GP-5242" includes the heel plate screws

## Hi-Hat Stands

### 9707DL Hi-Hat Stand

Part #	Description
1 # SC-4420S	SUPER CLUTCH
2 # GP-0016	UPPER PULL ROD
3 # SC-HF-4	CUP FELT
4 # SC-HHFW	FLAT METAL WASHER
5 # GP-0017	UPPER TUBE
6 # GP-2080	MEMORY LOCK 1"
7 # GP-5117	BOLT SET, LONG
8 # GP-2002	1" INNER BUSHING
9 # GP-5166	LOWER BASE ASSEMBLY
9a # GP-5180	MINI THIRD LEG ON BASE ASSEMBLY
9b # GP-5220	THREADED RUBBER FOOT W/ WASHER
10 # GP-0009	WING SCREW
11 # GP-5248	NEW LH ROCKER MECHANISM
11a # GP-5010	U-JOINT FOR LH ROCKER MECH
12 # GP-5006	SHORT CHAIN FOR LH MECH
13 # GP-5200	HINGED PEDAL BOARD COMPLETE
14 # SC-2000	PEDAL HINGE WITH SCREWS
15 # GLHRP2	ROCK PLATE WITH STABILIZING BRACKET
16 # SC-PC09	ROUND RUBBER FOOT
17 # GP-5242	ROCK PLATE SCREW KIT
18 # SC-4980J	HI-HAT CYMBAL SEAT



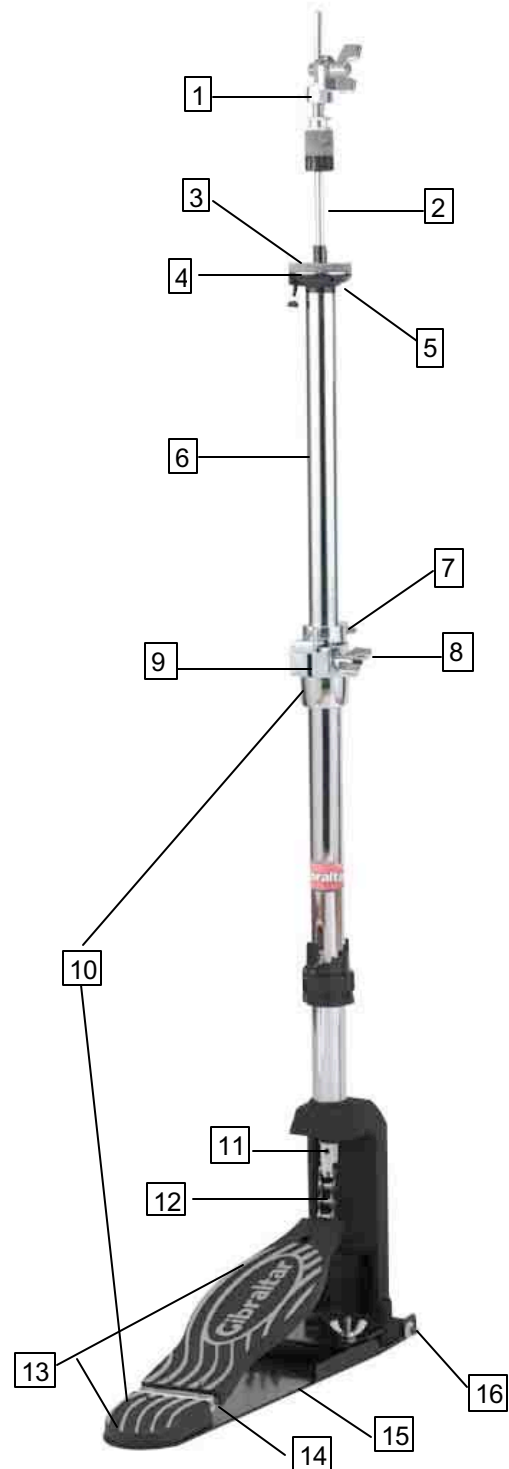
#### NOTES:

Part # 17 "GP-5242" includes the heel plate screws.

## Hi-Hat Stands

### 9707NL Hi-Hat Stand

Part #	Description
1 # SC-4420S	SUPER CLUTCH
2 # GP-0016	UPPER PULL ROD
3 # SC-HF-4	CUP FELT
4 # SC-HHFW	FLAT METAL WASHER
5 # SC-4980J	HI-HAT CYMBAL SEAT
6 # GP-0017	UPPER TUBE
7 # GP-2080	MEMORY LOCK 1"
8 # GP-5117	BOLT SET, LONG
9 # GP-2002	1" INNER BUSHING
10 # GP-5168	LOWER BASE ASSEMBLY COMPLETE
11 # GP-2026	ALLEN SCREW FOR CHAIN HUB
12 # SC-4208	HI-HAT CHAIN ASSEMBLY
13 # GP-5200	HINGED PEDAL BOARD COMPLETE
14 # SC-2000	PEDAL HINGE WITH SCREWS
15 # GLHRP2	ROCK PLATE WITH STABILIZING BRACKET
16 # GP-5242	ROCK PLATE SCREW KIT F/ 3 HOLE PLATE



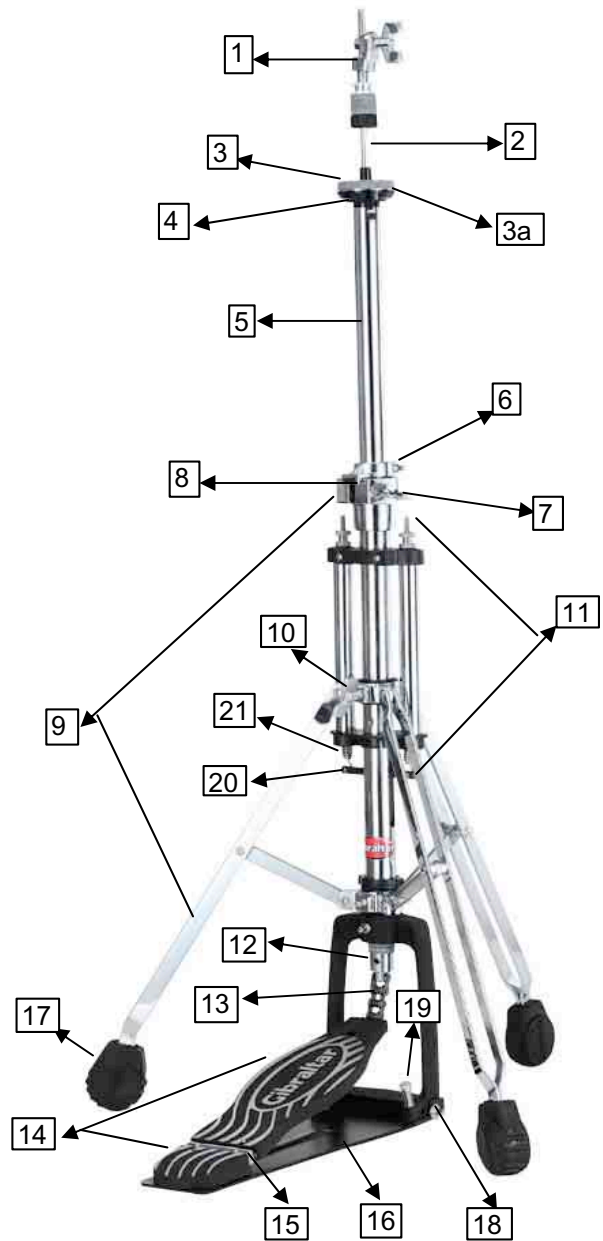
#### NOTES:

Part # 16 "GP-5242" includes the heel plate screws.

## Hi-Hat Stands

### 9707DML Hi-Hat Stand

Part #	Description
1 # SC-4420S	SUPER CLUTCH
2 # GP-0016	UPPER PULL ROD
3 # SC-HF-4	CUP FELT
3a # SC-HHFV	FLAT METAL WASHER
4 # SC-4980J	HI-HAT CYMBAL SEAT
5 # GP-0017	UPPER TUBE
6 # GP-2080	MEMORY LOCK 1"
7 # GP-5117	BOLT SET, LONG
8 # GP-2002	1" INNER BUSHING
9 # GP-5167	LOWER BASE ASSEMBLY W/ DUAL SPRING
10 # GP-0009	WING SCREW
11 # GP-5024	SPRING TENSION ASSEMBLY COMPLETE
12 # GP-2026	ALLEN SCREW FOR CHAIN HUB
13 # SC-4208	HI-HAT CHAIN ASSEMBLY
14 # GP-5200	HINGED PEDAL BOARD COMPLETE
15 # SC-2000	PEDAL HINGE WITH SCREWS
16 # GHRP2	ROCK PLATE FOR HI-HAT PEDAL
17 # SC-PC09	ROUND RUBBER FOOT
18 # GP-5242	ROCK PLATE SCREW KIT F/ 3 HOLE PLATE
19 # GP-5115	HI-HAT ANCHOR SPUR
20 # GP-0094	LOWER SPRING ATTACHMENT BOLT
21 # GP-0092	TENSION SPRING



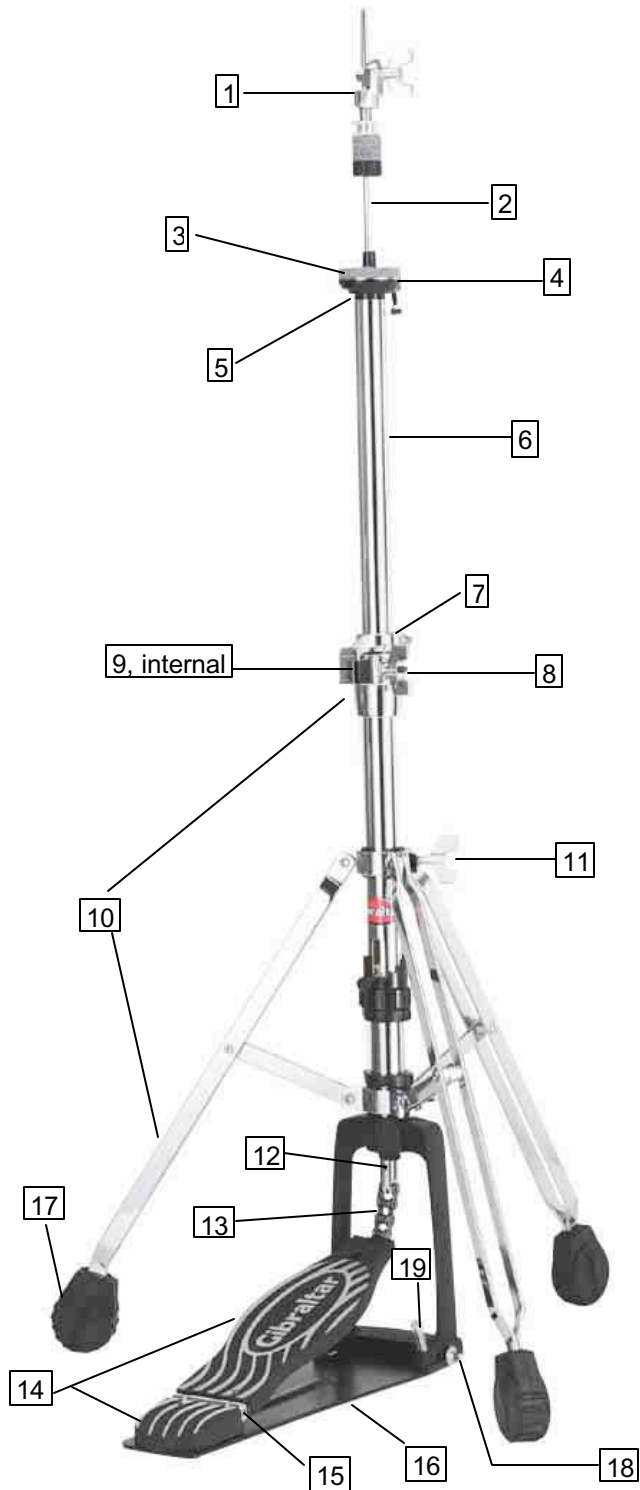
#### NOTES:

Part # 18 "GP-5242" includes the heel plate screws.

## Hi-Hat Stands

### 9707ML Hi-Hat Stand

Part #	Description
1 # SC-4420S	SUPER CLUTCH
2 # GP-0016	UPPER PULL ROD
3 # SC-HF-4	CUP FELT
4 # SC-HHFW	FLAT METAL WASHER
5 # SC-4980J	HI-HAT CYMBAL SEAT
6 # GP-0017	UPPER TUBE
7 # GP-2080	MEMORY LOCK 1"
8 # GP-5117	BOLT SET, LONG
9 # GP-2002	1" INNER BUSHING
10 # GP-5169	LOWER BASE ASSEMBLY COMPLETE
11 # GP-0009	WING SCREW
12 # GP-2026	ALLEN SCREW FOR CHAIN HUB
13 # SC-4208	HI-HAT CHAIN ASSEMBLY
14 # GP-5200	HINGED PEDAL BOARD COMPLETE
15 # SC-2000	PEDAL HINGE WITH SCREWS
16 # GHRP2	ROCK PLATE FOR HI-HAT PEDAL
17 # SC-PC09	ROUND RUBBER FOOT
18 # GP-5242	ROCK PLATE SCREW KIT F/ 3 HOLE PLATE
19 # GP-5115	HI-HAT ANCHOR SCREW



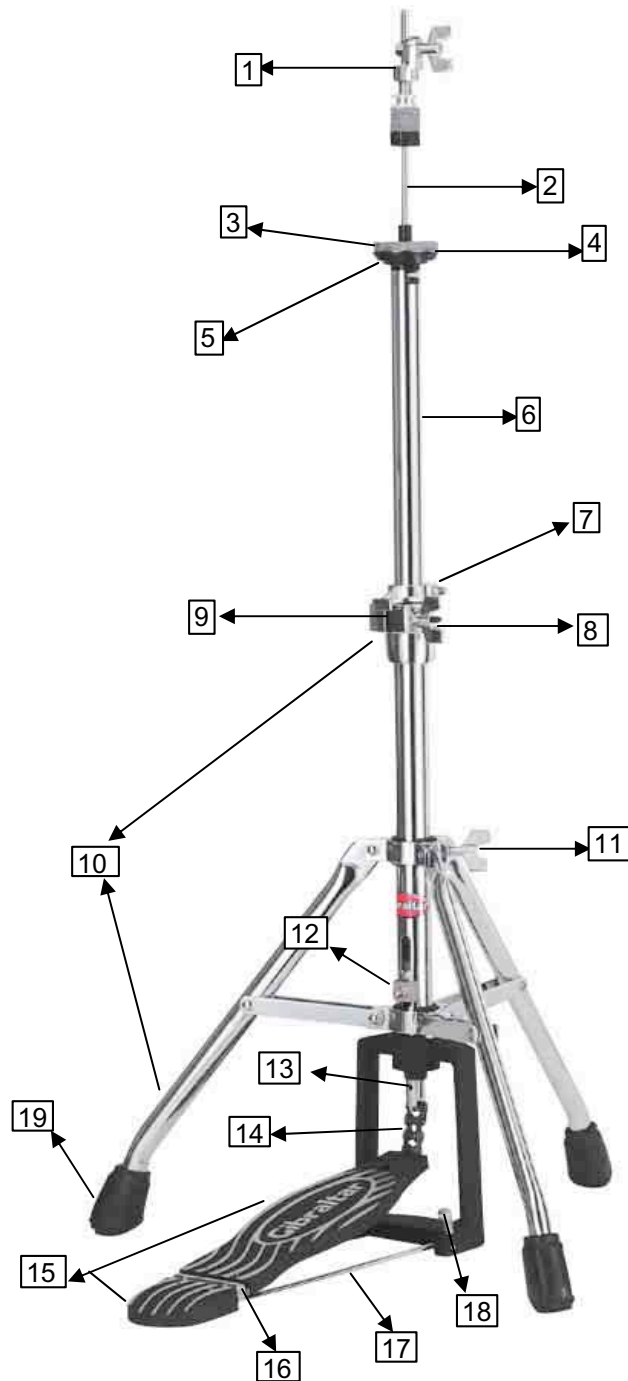
#### NOTES:

Part # 18 "GP-5242" includes the heel plate screws.

## Hi-Hat Stands

### 7607ML Hi-Hat Stand

Part #	Description
1 # SC-4420S	SUPER CLUTCH
2 # GP-0016	UPPER PULL ROD
3 # SC-HF-4	CUP FELT
4 # SC-HHFW	FLAT METAL WASHER
5 # SC-4980J	HI-HAT CYMBAL SEAT
6 # GP-0017	UPPER TUBE
7 # GP-2080	MEMORY LOCK 1"
8 # GP-5117	BOLT SET, LONG
9 # GP-2002	1" INNER BUSHING
10 # GP-0122	LOWER BASE ASSEMBLY COMPLETE
11 # GP-0009	WING SCREW
12 # GP-5171	SPRING TENSION ASSEMBLY
13 # GP-2026	ALLEN SCREW FOR CHAIN HUB
14 # SC-4208	HI-HAT CHAIN ASSEMBLY
15 # GP-5200	HINGED PEDAL BOARD COMPLETE
16 # SC-2000	PEDAL HINGE WITH SCREWS
17 # GP-0021	RADIUS ROD COMPLETE
18 # GP-5115	HI-HAT ANCHOR SPUR
19 # SC-PC08	RUBBER FOOT

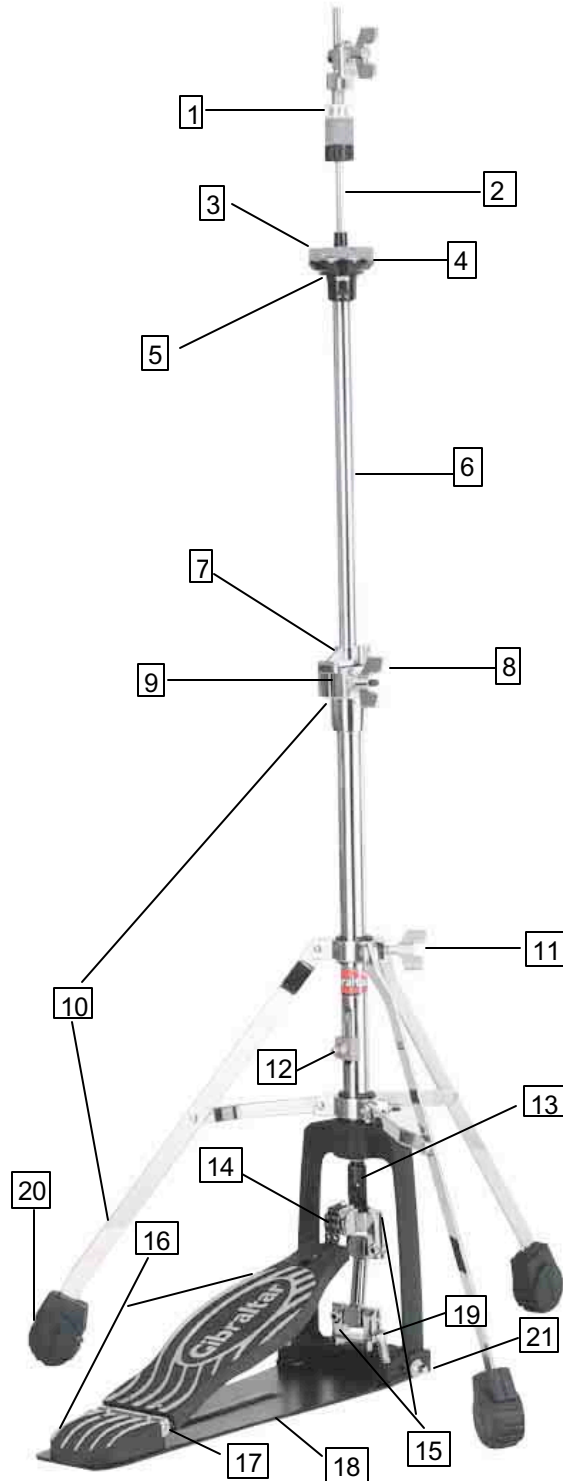


#### NOTES:

## Hi-Hat Stands

### JZ707LH Hi-Hat Stand

Part #	Description
1 #	SC-4420S SUPER CLUTCH
2 #	GP-0016 UPPER PULL ROD
3 #	SC-HF-4 CUP FELT
4 #	SC-HHFW FLAT METAL WASHER
5 #	SC-4980J HI-HAT CYMBAL SEAT
6 #	GP-0017 UPPER TUBE
7 #	SC-ML34 MEMORY LOCK 3/4"
8 #	GPR009 BOLT SET
9 #	GP-5116 5/8" INNER BUSHING
10 #	GP-5170 LOWER BASE ASSEMBLY COMPLETE
11 #	GP-0009 WING SCREW
12 #	GP-5171 SPRING TENSION ASSEMBLY
13 #	GP-5010 U-JOINT FOR LH ROCKER MECH
14 #	GP-5006 SHORT CHAIN FOR LH MECH
15 #	GP-5248 NEW LH ROCKER MECHANISM
16 #	GP-5200 HINGED PEDAL BOARD COMPLETE
17 #	SC-2000 PEDAL HINGE WITH SCREWS
18 #	GHRP2 ROCK PLATE FOR HI-HAT PEDAL
19 #	GP-5115 HI-HAT ANCHOR SPUR
20 #	GP-4045 RUBBER FOOT
21 #	GP-5242 ROCK PLATE SCREW KIT F/ 3 HOLE PLATE



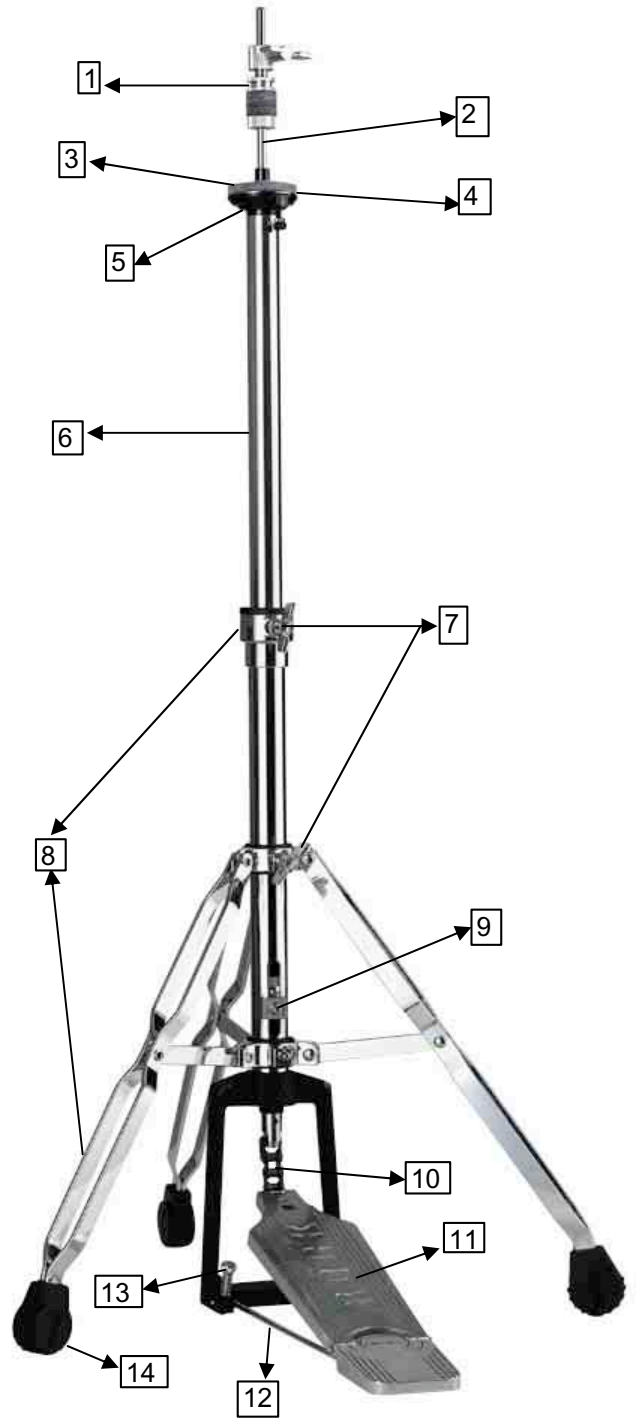
#### NOTES:

Part # 21 "GP-5242" includes the heel plate screws.

## Hi-Hat Stands

### RBG-07 Hi-Hat Stand

Part #	Description
1 # SC-4421D	HI-HAT CLUTCH
2 # GP-0016	UPPER PULL ROD
3 # SC-HF-4	CUP FELT
4 # SC-HHFW	FLAT METAL WASHER
5 # SC-4980J	HI-HAT CYMBAL SEAT
6 # RP-0023	UPPER TUBE ASSEMBLY
7 # GP-0009	WING SCREW
8 # RP-0024	LOWER BASE ASSEMBLY COMPLETE
9 # GP-5171	SPRING TENSION ASSEMBLY
10 # SC-4208	HI-HAT CHAIN ASSEMBLY
11 # RP-5003	ROCK PEDAL BOARD
12 # GP-0021	RADIUS ROD COMPLETE
13 # GP-5115	HI-HAT ANCHOR SPUR
14 # RP-0003	RUBBER FOOT

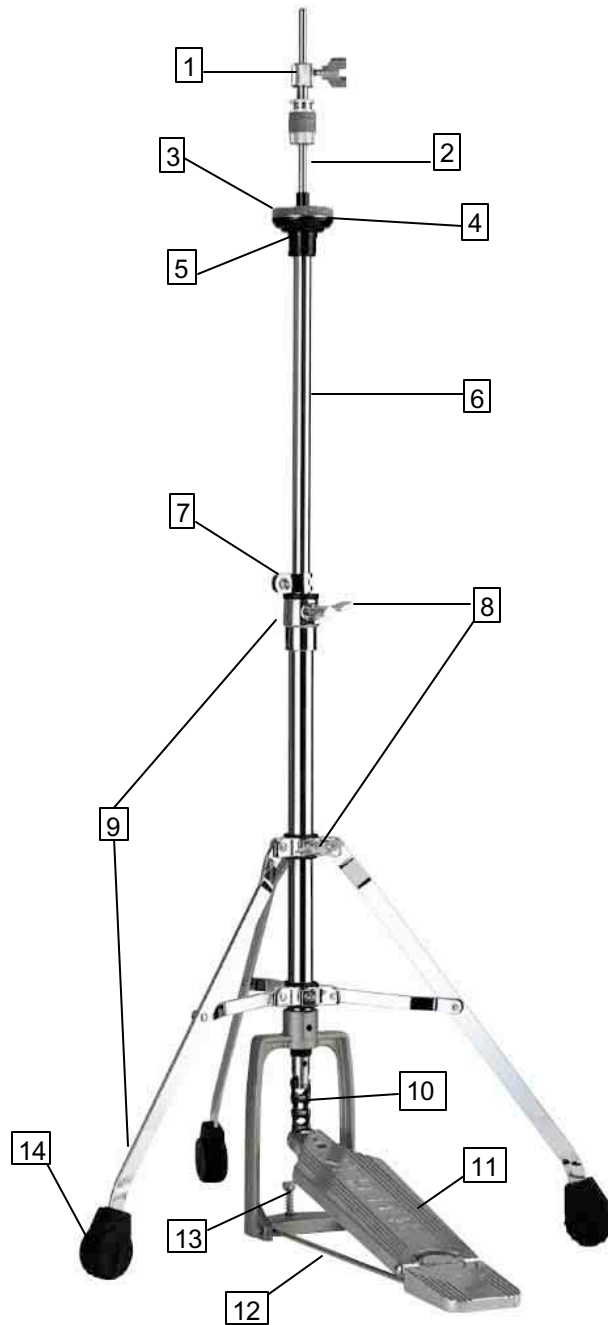


**NOTES:**

## Hi-Hat Stands

### RBG-07S Hi-Hat Stand

Part #	Description
1 # SC-4421D	HI-HAT CLUTCH
2 # GP-0016	UPPER PULL ROD
3 # SC-HF-4	CUP FELT
4 # SC-HHFW	FLAT METAL WASHER
5 # SC-4980J	HI-HAT CYMBAL SEAT
6 # RP-0023	UPPER TUBE ASSEMBLY
7 # RP-0005	MEMORY LOCK
8 # GP-0009	WING SCREW
9 # RP-0006	LOWER BASE ASSEMBLY COMPLETE
10 # SC-4208	HI-HAT CHAIN ASSEMBLY
11 # RP-5003	ROCK PEDAL BOARD
12 # GP-0021	RADIUS ROD COMPLETE FOR HI-HAT PEDAL
13 # GP-5115	HI-HAT ANCHOR SPUR
14 # RP-0048	RUBBER FOOT FOR SINGLE BRACE STAND

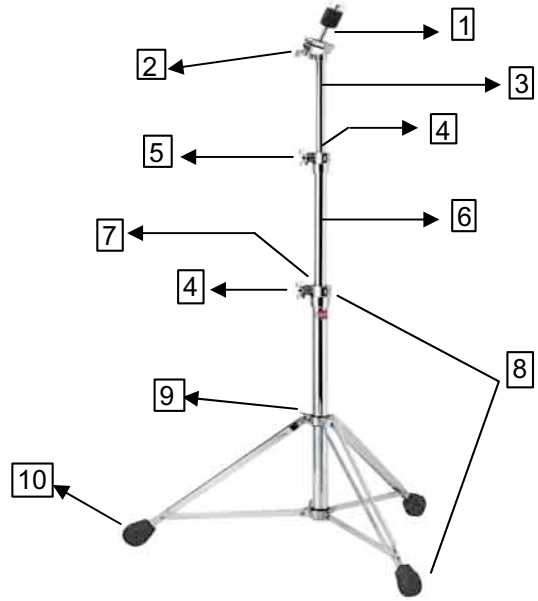


#### NOTES:

## Cymbal Stands

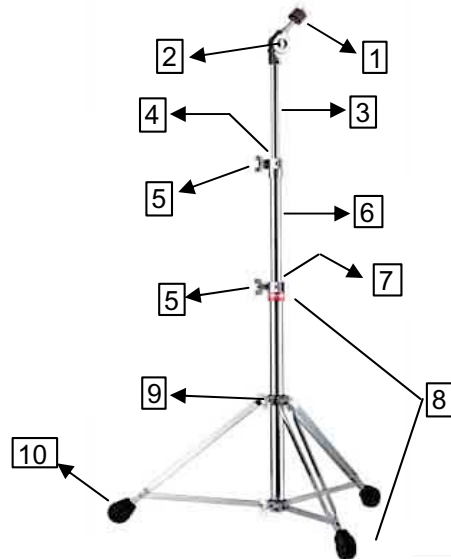
### 9510

Part #	Description
1 # GP-2011	360 TILTER BALL
2 # GP-2012	360 BALL TILTER BOLT ASSEMBLY
3 # GP-5127	UPPER SHAFT
4 # GP-2005	3/4" INNER BUSHING
5 # GP-5117	BOLT SET, LONG
6 # GP-5125	MIDDLE SHAFT
7 # GP-2002	1" INNER BUSHING
8 # GP-2215	LOWER BASE ASSEMBLY COMPLETE
9 # GP-0009	WING SCREW
10 # SC-PC09	RUBBER FOOT



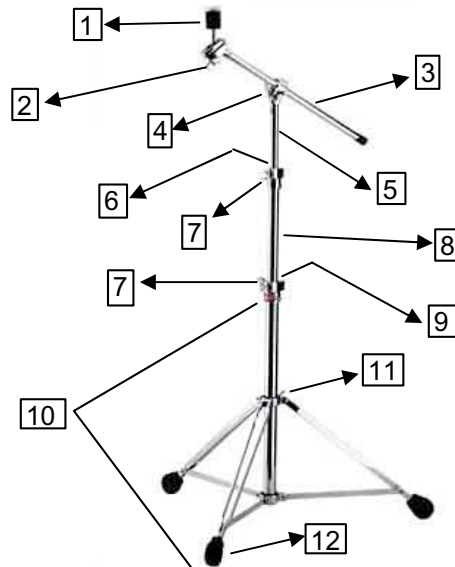
### 9510CT

Part #	Description
1 # GP-5018	CYMBAL TILTER ASSEMBLY
2 # GP-5114	TILTER RATCHET HARDWARE
3 # GP-0007	UPPER SHAFT
4 # GP-2005	3/4" INNER BUSHING
5 # GP-5117	BOLT SET, LONG
6 # GP-5125	MIDDLE SHAFT
7 # GP-2002	1" INNER BUSHING
8 # GP-2215	LOWER BASE ASSEMBLY COMPLETE
9 # GP-0009	WING SCREW
10 # SC-PC09	RUBBER FOOT



### 9509S

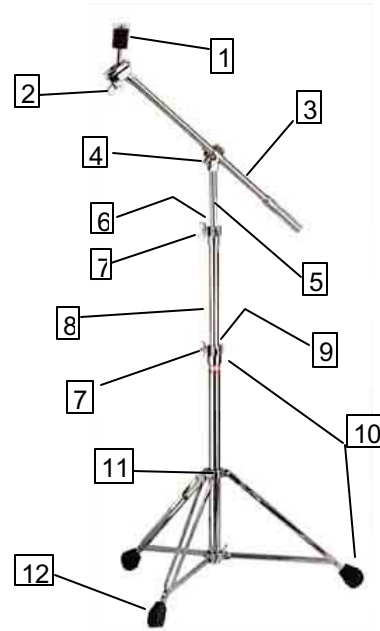
Part #	Description
1 # GP-2011	360 TILTER BALL
2 # GP-2012	360 BALL TILTER BOLT ASSEMBLY
3 # GP-2084	SMALL BOOM ARM
4 # GP-2006	2 POINT BOOM ADJUST MECHANISM
5 # GP-0005	UPPER SHAFT
6 # GP-2005	3/4" INNER BUSHING
7 # GP-5117	BOLT SET, LONG
8 # GP-5125	MIDDLE SHAFT
9 # GP-2002	1" INNER BUSHING
10 # GP-2215	LOWER BASE ASSEMBLY COMPLETE
11 # GP-0009	WING SCREW
12 # SC-PC09	RUBBER FOOT



## Cymbal Stands

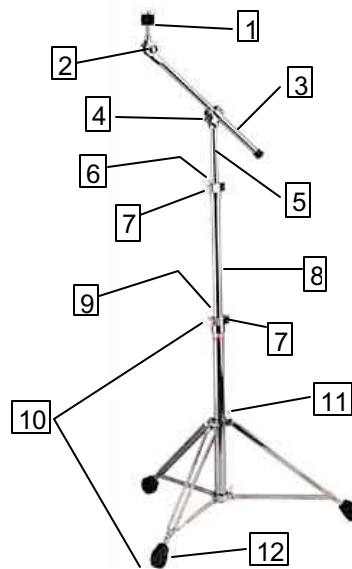
### 9509M

Part #	Description
1 # GP-2011	360 TILTER BALL
2 # GP-2012	360 BALL TILTER BOLT ASSEMBLY
3 # GP-2015	MEDIUM BOOM ARM
4 # GP-2006	2 POINT BOOM ADJUST MECHANISM
5 # GP-0005	UPPER SHAFT
6 # GP-2005	3/4" INNER BUSHING
7 # GP-5117	BOLT SET, LONG
8 # GP-5125	MIDDLE SHAFT
9 # GP-2002	1" INNER BUSHING
10 # GP-2215	LOWER BASE ASSEMBLY COMPLETE
11 # GP-0009	WING SCREW
12 # SC-PC09	RUBBER FOOT



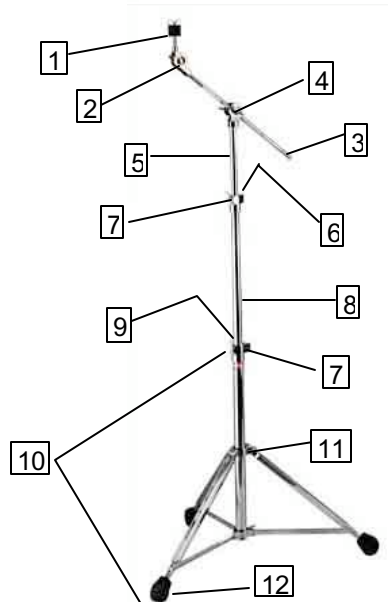
### 9509CT

Part #	Description
1 # GP-5018	CYMBAL TILTER ASSEMBLY
2 # GP-5114	TILTER RATCHET HARDWARE
3 # GP-0011	SMALL BOOM ARM
4 # GP-2006	2 POINT BOOM ADJUST MECHANISM
5 # GP-0007	UPPER SHAFT
6 # GP-2005	3/4" INNER BUSHING
7 # GP-5117	BOLT SET, LONG
8 # GP-5125	MIDDLE SHAFT
9 # GP-2002	1" INNER BUSHING
10 # GP-2215	LOWER BASE ASSEMBLY COMPLETE
11 # GP-0009	WING SCREW
12 # SC-PC09	RUBBER FOOT



### 9509MB

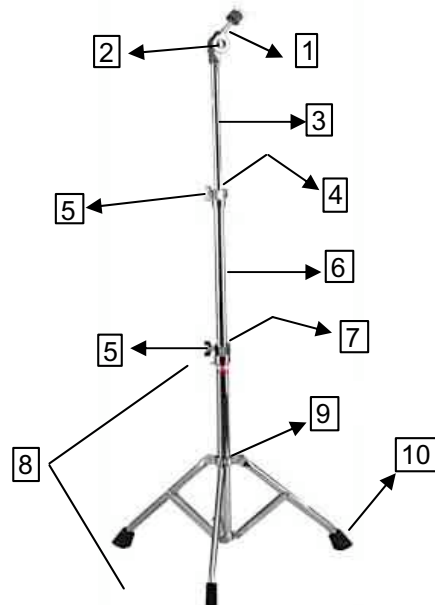
Part #	Description
1 # GP-5012	CYMBAL TILTER ASSEMBLY
2 # GP-5114	TILTER RATCHET HARDWARE
3 # GP-0085	SOLID BOOM ARM
4 # GP-5016	HIDEAWAY RATCHET ASSEMBLY
5 # GP-5017	HIDEAWAY RATCHET UPPER SHAFT
6 # GP-2005	3/4" INNER BUSHING
7 # GP-5117	BOLT SET, LONG
8 # GP-5125	MIDDLE SHAFT
9 # GP-2002	1" INNER BUSHING
10 # GP-2215	LOWER BASE ASSEMBLY COMPLETE
11 # GP-0009	WING SCREW
12 # SC-PC09	RUBBER FOOT



## Cymbal Stands

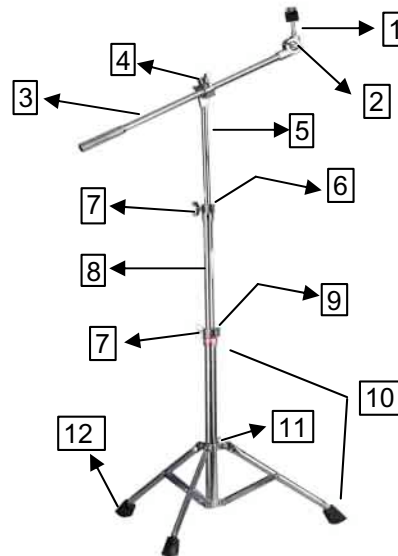
### 7510

Part #	Description
1 # GP-5018	CYMBAL TILTER ASSEMBLY
2 # GP-5114	TILTER RATCHET HARDWARE
3 # GP-0007	UPPER SHAFT
4 # GP-2005	3/4" INNER BUSHING
5 # GP-5117	BOLT SET, LONG
6 # GP-5125	MIDDLE SHAFT
7 # GP-2002	1" INNER BUSHING
8 # GP-2008	LOWER BASE ASSEMBLY
9 # GP-0009	WING SCREW
10 # SC-PC08	RUBBER FOOT



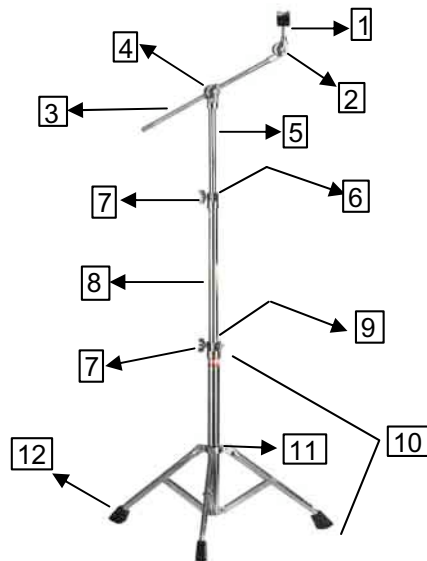
### 7509M

Part #	Description
1 # GP-5018	CYMBAL TILTER ASSEMBLY
2 # GP-5114	TILTER RATCHET HARDWARE
3 # GP-2007	BOOM ARM W/ WEIGHT
4 # GP-2006	2 POINT BOOM ADJUST MECHANISM
5 # GP-5119	UPPER SHAFT
6 # GP-2005	3/4" INNER BUSHING
7 # GP-5117	BOLT SET, LONG
8 # GP-5125	MIDDLE SHAFT
9 # GP-2002	1" INNER BUSHING
10 # GP-2008	LOWER BASE ASSEMBLY
11 # GP-0009	WING SCREW
12 # SC-PC08	RUBBER FOOT



### 7509MB

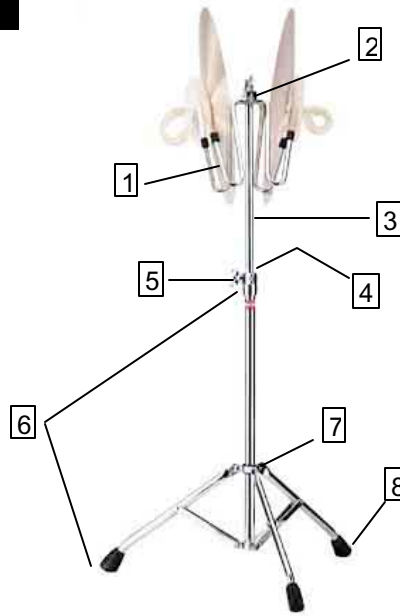
Part #	Description
1 # GP-5012	CYMBAL TILTER ASSEMBLY
2 # GP-5114	TILTER RATCHET HARDWARE
3 # GP-0085	SOLID BOOM ARM
4 # GP-5016	HIDEAWAY RATCHET ASSEMBLY
5 # GP-5017	HIDEAWAY RATCHET UPPER SHAFT
6 # GP-2005	3/4" INNER BUSHING
7 # GP-5117	BOLT SET, LONG
8 # GP-5125	MIDDLE SHAFT
9 # GP-2002	1" INNER BUSHING
10 # GP-2008	LOWER BASE ASSEMBLY
11 # GP-0009	WING SCREW
12 # SC-PC08	RUBBER FOOT



## Cymbal Stands

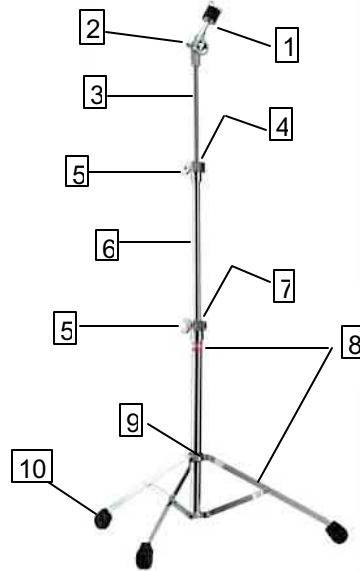
### 7514

Part #	Description
1 # GP-5019	CYMBAL HANGER ASSEMBLY
2 # GP-5021	HANGER CLAMP ASSEMBLY
3 # GP-5022	UPPER TUBE
4 # GP-2005	3/4" INNER BUSHING
5 # GPR009	BOLT SET
6 # GP-5121	LOWER BASE ASSEMBLY
7 # GP-0009	WING SCREW
8 # SC-PC08	RUBBER FOOT



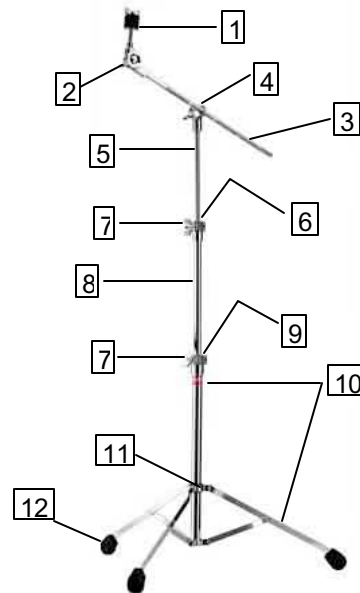
### JZ10

Part #	Description
1 # GP-5012	CYMBAL TILTER COMPLETE
2 # GP-5114	TILTER RATCHET HARDWARE
3 # GP-4054	UPPER SHAFT
4 # GP-4055	1/2" INNER BUSHING
5 # GPR009	BOLT SET
6 # GP-4056	MIDDLE SHAFT
7 # GP-2005	3/4" INNER BUSHING
8 # GP-4057	LOWER BASE ASSEMBLY
9 # GP-0009	WING SCREW
10 # GP-4045	RUBBER FOOT



### JZ09

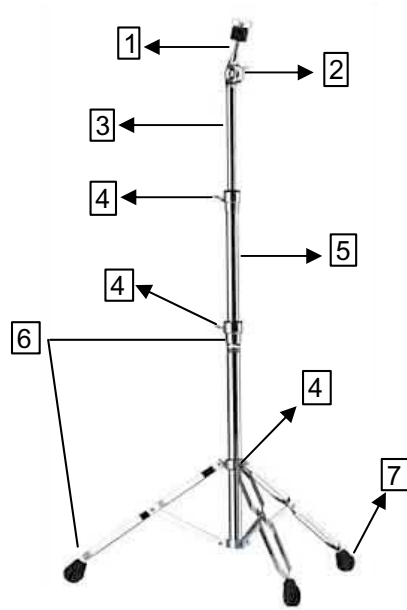
Part #	Description
1 # GP-5012	CYMBAL TILTER COMPLETE
2 # GP-5114	TILTER RATCHET HARDWARE
3 # GP-0085	SOLID BOOM ARM
4 # GP-4051	BOOM RATCHET ASSEMBLY
5 # GP-4052	UPPER SHAFT
6 # GP-4055	1/2" INNER BUSHING
7 # GPR009	BOLT SET
8 # GP-4056	MIDDLE SHAFT
9 # GP-2005	3/4" INNER BUSHING
10 # GP-4057	LOWER BASE ASSEMBLY
11 # GP-0009	WING SCREW
12 # GP-4045	RUBBER FOOT



## Cymbal Stands

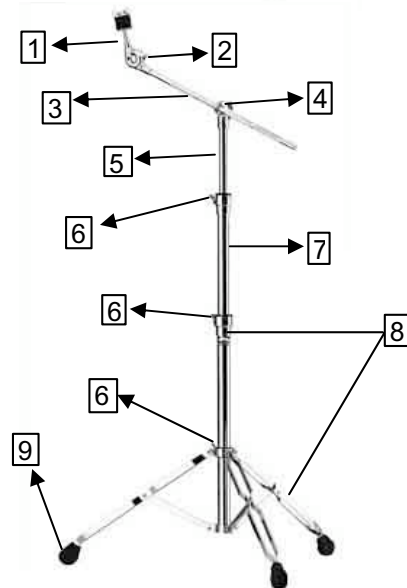
### RBG10

Part #	Description
1 # GP-5004	CYMBAL TILTER ASEMBLY
2 # GP-5005	TILTER RATCHET HARDWARE
3 # RP-0029	UPPER SHAFT
4 # GP-0009	WING SCREW
5 # RP-0026	MIDDLE SHAFT
6 # RP-0027	LOWER BASE ASSEMBLY
7 # RP-0003	RUBBER FOOT



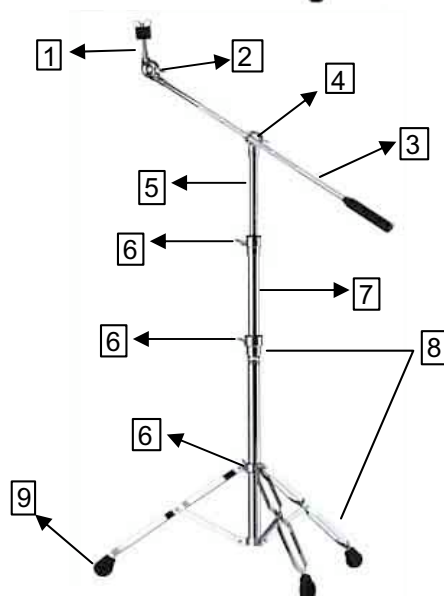
### RBG09M

Part #	Description
1 # GP-5004	CYMBAL TILTER ASEMBLY
2 # GP-5005	TILTER RATCHET HARDWARE
3 # RP-0010	SOLID BOOM ARM
4 # RP-0009	BOOM RATCHET ASSEMBLY
5 # RP-0025	UPPER SHAFT
6 # GP-0009	WING SCREW
7 # RP-0026	MIDDLE SHAFT
8 # RP-0027	LOWER BASE ASSEMBLY
9 # RP-0003	RUBBER FOOT



### RBG09L

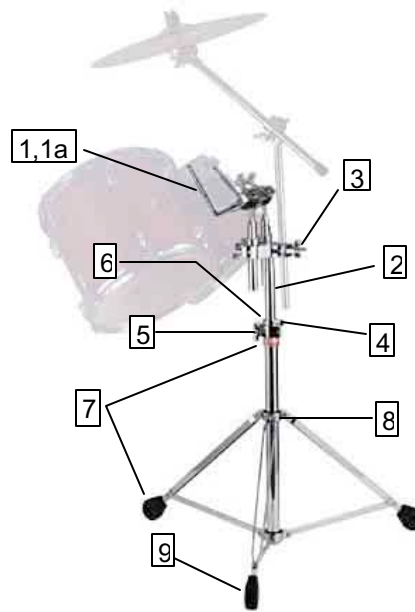
Part #	Description
1 # GP-5004	CYMBAL TILTER ASEMBLY
2 # GP-5005	TILTER RATCHET HARDWARE
3 # RP-0028	MEDIUM BOOM ARM
4 # RP-0009	BOOM RATCHET ASSEMBLY
5 # RP-0025	UPPER SHAFT
6 # GP-0009	WING SCREW
7 # RP-0026	MIDDLE SHAFT
8 # RP-0027	LOWER BASE ASSEMBLY
9 # RP-0003	RUBBER FOOT



## Specialty Stands

### 9513(LR)

Part #	Description
1 # SC-BALRM	BALL ARM L-ROD MOUNT 10.5mm F/9513LR
1a # SC-BALRL	BALL ARM L-ROD MOUNT 12.7mm F/9513
2 # GP-0102	UPPER TUBE ASSEMBLY
3 # GP-5025	PLATFORM MOUNT HARDWARE
4 # GP-2080	MEMORY LOCK
5 # GP-5117	BOLT SET, LONG
6 # GP-2002	1" INNER BUSHING
7 # GP-5128	LOWER BASE ASSEMBLY
8 # GP-0009	WING SCREW
9 # SC-PC09	RUBBER FOOT



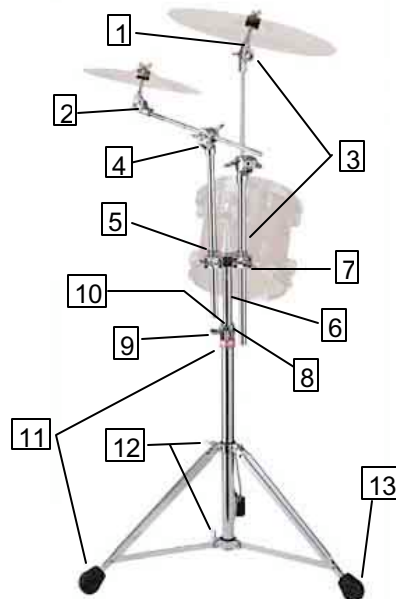
### 9513 7/8

Part #	Description
1 # SC-BA78	BALL ARM 7/8" DIA. TOM ARM
2 # GP-0102	UPPER TUBE ASSEMBLY
3 # GP-5025	PLATFORM MOUNT HARDWARE
4 # GP-2080	MEMORY LOCK
5 # GP-5117	BOLT SET, LONG
6 # GP-2002	1" INNER BUSHING
7 # GP-5128	LOWER BASE ASSEMBLY
8 # GP-0009	WING SCREW
9 # SC-PC09	RUBBER FOOT



### 9509DMB

Part #	Description
1 # GP-5012	CYMBAL TILTER ASSEMBLY
2 # GP-5114	TILTER RATCHET HARDWARE
3 # SC-MB	HIDEAWAY MINI BOOM
4 # GP-5016	HIDEAWAY RATCHET ASSEMBLY
5 # SC-ML34	3/4" MEMORY LOCK
6 # GP-0102	UPPER TUBE ASSEMBLY
7 # GP-5025	PLATFORM MOUNT HARDWARE
8 # GP-2080	MEMORY LOCK
9 # GP-5117	BOLT SET, LONG
10 # GP-2002	1" INNER BUSHING
11 # GP-5128	LOWER BASE ASSEMBLY
12 # GP-0009	WING SCREW
13 # SC-PC09	RUBBER FOOT



## Drum Thrones

### 9508

	Part #	Description
1	# S9508R	ROUND VINYL SEAT W/ SEAT BRACKET
2	# GP-0029	SEAT BRACKET ONLY
3	# GP-0034	THREADED SHAFT
4	# SC-ML78	7/8" MEMORY LOCK
5	# B9508	LOWER BASE ASSEMBLY COMPLETE
6	# GP-0009	8MM WING BOLT
7	# SC-PC07	RUBBER FOOT
8	# GP-5044	HARDWARE FOR BASE CLAMP



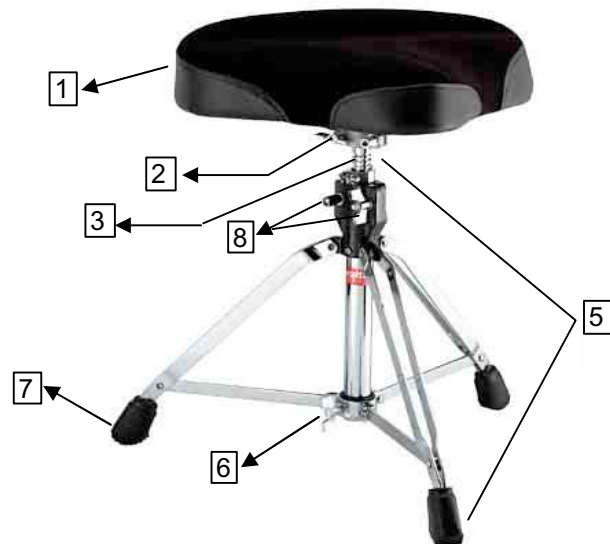
### 9508C

	Part #	Description
1	# S9508C	CUTAWAY SEAT W/ SEAT BRACKET
2	# GP-0029	SEAT BRACKET ONLY
3	# GP-0034	THREADED SHAFT
4	# SC-ML78	7/8" MEMORY LOCK
5	# B9508	LOWER BASE ASSEMBLY COMPLETE
6	# GP-0009	8MM WING BOLT
7	# SC-PC07	RUBBER FOOT
8	# GP-5044	HARDWARE FOR BASE CLAMP



### 9508M

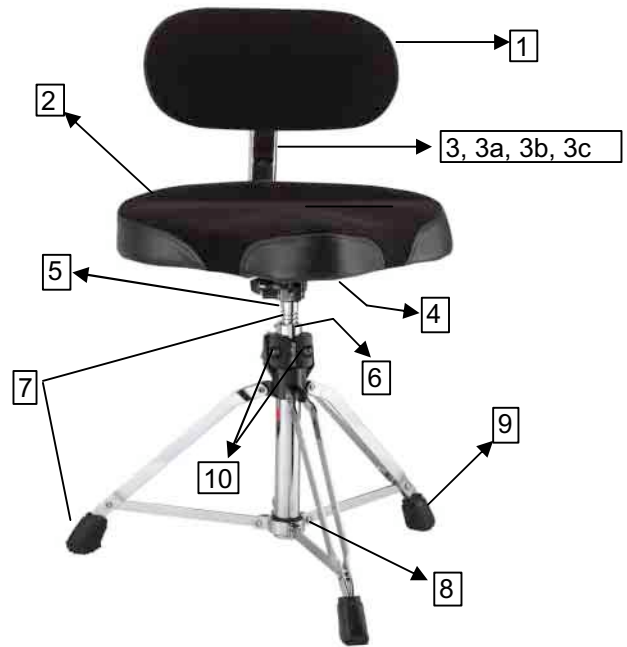
	Part #	Description
1	# S9508M	CUTAWAY SEAT W/ SEAT BRACKET
2	# GP-0029	SEAT BRACKET ONLY
3	# GP-0034	THREADED SHAFT
4	# SC-ML78	7/8" MEMORY LOCK
5	# B9508	LOWER BASE ASSEMBLY COMPLETE
6	# GP-0009	8MM WING BOLT
7	# SC-PC07	RUBBER FOOT
8	# GP-5044	HARDWARE FOR BASE CLAMP



## Drum Thrones

### 9508MB

Part #	Description
1 # GP-5092	BACK CUSHION
2 # S9508M	MOTORCYCLE STYLE SEAT CUSHION
3 # GP-0114	BACK SUPPORT ASSEMBLY COMPLETE
3a # GP-0115	BACK SUPPORT HT ADJUSTMENT ASSEMBLY
3b GP-0116	BACK SUPPORT ARM ONLY
3c # GP-0117	BACK SUPPORT DEPTH ADJUST ASSEMBLY
4 # GP-5139	SEAT BRACKET PLATE ONLY
5 # GP-0034	THREADED SHAFT
6 # SC-ML78	7/8" MEMORY LOCK
7 # B9508	LOWER BASE ASSEMBLY COMPLETE
8 # GP-0009	8MM WING BOLT
9 # SC-PC07	RUBBER FOOT
10 # GP-5044	HARDWARE FOR BASE CLAMP



### 9508OS

Part #	Description
1 # 9508OSS	OVERSIZED ROUND VINYL THRONE SEAT
2 # GP-5139	SEAT BRACKET PLATE ONLY
3 # GP-0034	THREADED SHAFT
4 # SC-ML78	7/8" MEMORY LOCK
5 # B9508	LOWER BASE ASSEMBLY COMPLETE
6 # GP-0009	8MM WING BOLT
7 # SC-PC07	RUBBER FOOT
8 # GP-5044	HARDWARE FOR BASE CLAMP



### 9508S

Part #	Description
1 # S9508R	ROUND VINYL SEAT W/ SEAT BRACKET
2 # GP-0029	SEAT BRACKET ONLY
3 # GP-0034	THREADED SHAFT
4 # SC-ML78	7/8" MEMORY LOCK
5 # B9508S	SHORT LOWER BASE ASSEMBLY COMPLETE
6 # GP-0009	8MM WING BOLT
7 # SC-PC07	RUBBER FOOT
8 # GP-5044	HARDWARE FOR BASE CLAMP



## Drum Thrones

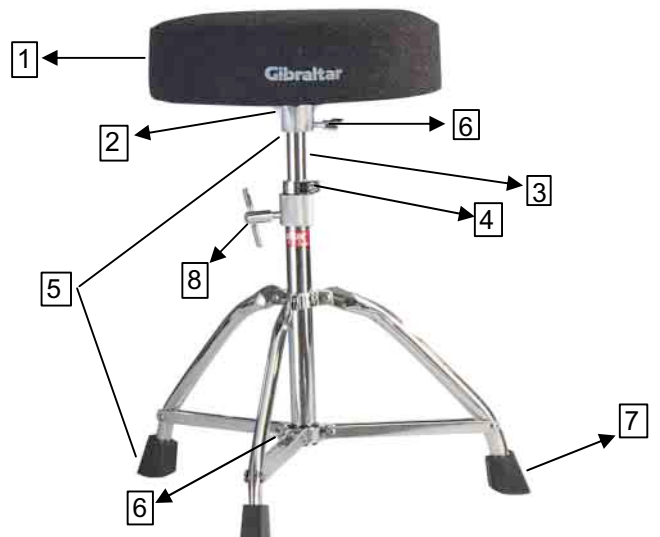
### 7508

Part #	Description
1 # S9508S	ROUND VINYL SEAT W/ SEAT BRACKET
2 # GP-0029	SEAT BRACKET ONLY
3 # GP-0030	SOLID 7/8" SHAFT
4 # SC-ML78	7/8" MEMORY LOCK
5 # GP-5050	LOWER BASE ASSEMBLY COMPLETE
6 # GP-0009	8MM WING BOLT
7 # SC-PC07	RUBBER FOOT
8 # GP-0032	T-SCREW



### 7508C

Part #	Description
1 # GP-5047	ROUND CLOTH SEAT W/ SEAT BRACKET
2 # GP-0029	SEAT BRACKET ONLY
3 # GP-0030	SOLID 7/8" SHAFT
4 # SC-ML78	7/8" MEMORY LOCK
5 # GP-5050	LOWER BASE ASSEMBLY COMPLETE
6 # GP-0009	8MM WING BOLT
7 # SC-PC07	RUBBER FOOT
8 # GP-0032	T-SCREW



### 7508M

Part #	Description
1 # GP-5048	VINYL MOTORCYCLE SEAT
2 # GP-0029	SEAT BRACKET ONLY
3 # GP-0030	SOLID 7/8" SHAFT
4 # SC-ML78	7/8" MEMORY LOCK
5 # GP-5050	LOWER BASE ASSEMBLY COMPLETE
6 # GP-0009	8MM WING BOLT
7 # SC-PC07	RUBBER FOOT
8 # GP-0032	T-SCREW



## Drum Thrones

### 7508MC

Part #	Description
1 # GP-5049	CLOTH MOTORCYCLE SEAT
2 # GP-0029	SEAT BRACKET ONLY
3 # GP-0030	SOLID 7/8" SHAFT
4 # SC-ML78	7/8" MEMORY LOCK
5 # GP-5050	LOWER BASE ASSEMBLY COMPLETE
6 # GP-0009	8MM WING BOLT
7 # SC-PC07	RUBBER FOOT
8 # GP-0032	T-SCREW



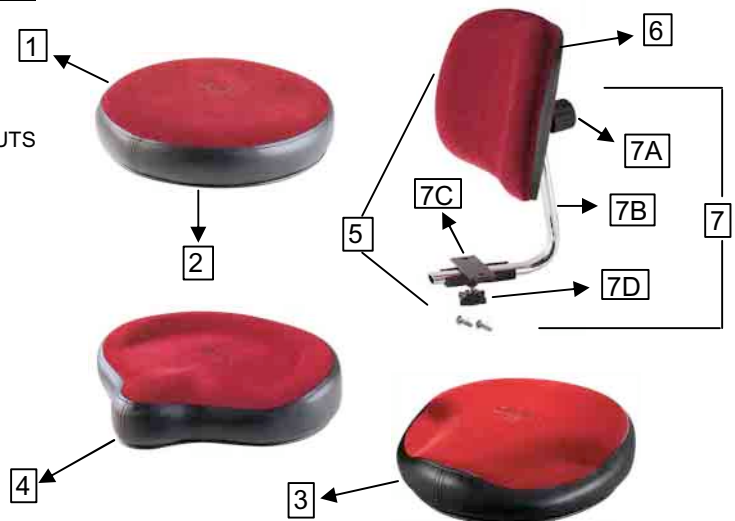
### JZ08

Part #	Description
1 # S9508R	ROUND VINYL SEAT W/ SEAT BRACKET
2 # GP-0029	SEAT BRACKET ONLY
3 # GP-0034	THREADED SHAFT
4 # SC-ML78	7/8" MEMORY LOCK
5 # GP-5045	LOWER BASE ASSEMBLY COMPLETE
6 # GP-0009	8MM WING BOLT
7 # GP-5091	RUBBER FOOT



### Roc 'N Soc Seat Tops

Part #	Description
1 # RSGRC	OVERSIZED ROUND SEAT
2 # GP-0029	SEAT CUSHION BRACKET
3 # RSGRTC	OVERSIZED ROUND SEAT W/ THIGH CUTOUTS
4 # RSGMC	OVERSIZED MOTORCYCLE SEAT
5 # RSGBR	BACKREST ATTACHMENT COMPLETE
6 # GP-4097	BACK CUSHION W/ MOUNTING HARDWARE
7 # GP-4100	BACK SUPPORT ASSEMBLY COMPLETE
7A # GP-4101	BACK SUPPORT ADJUSTMENT KNOB
7B # GP-4102	BACK SUPPORT ARM
7C # GP-4103	BACK SUPPORT BRACKET W/ SCREWS
7D # GP-4104	BACK SUPPORT BRACKET KNOB



## Drum Thrones

### RBG08

Part #	Description
1 # GP-5042	SEAT CUSHION
2 # GP-0029	SEAT BRACKET
3 # GP-0009	WING SCREW
4 # RP-0043	MAIN ADJUSTER SHAFT
5 # RP-0044	HEIGHT ADJUSTMENT BOLT ASSEMBLY
6 # RP-0049	RUBBER FOOT
7 # RP-0046	LOWER BASE ASSEMBLY COMPLETE



### RBG08S

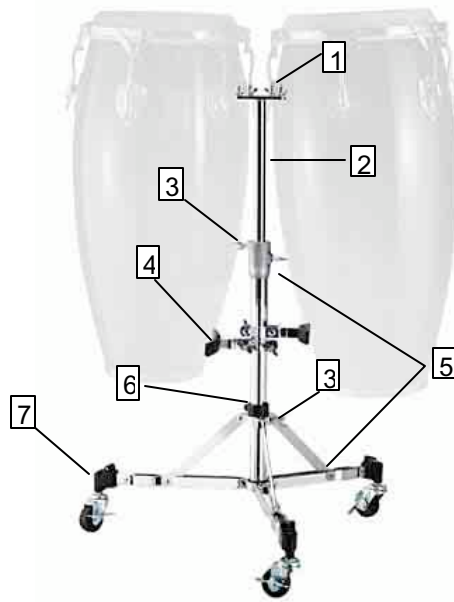
Part #	Description
1 # GP-5042	SEAT CUSHION
2 # GP-0029	SEAT BRACKET
3 # GP-0009	WING SCREW
4 # RP-0043	MAIN ADJUSTER SHAFT
5 # RP-0044	HEIGHT ADJUSTMENT BOLT ASSEMBLY
6 # RP-0050	RUBBER FOOT
7 # RP-0045	LOWER BASE ASSEMBLY COMPLETE



## Percussion Stands

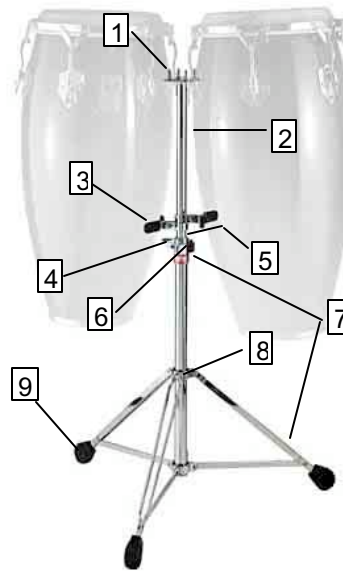
### 9518

Part #	Description
1 # GP-2095	TOP WING NUT WITH WASHER
2 # GP-5029	UPPER SHAFT
3 # GP-0009	WING BOLT
4 # GP-5030	CONGA SHELL SUPPORT
5 # GP-5034	LOWER BASE ASSEMBLY
6 # GPR009	BOLT SET
7 # SC-FSC2	FREE STANDING CASTER



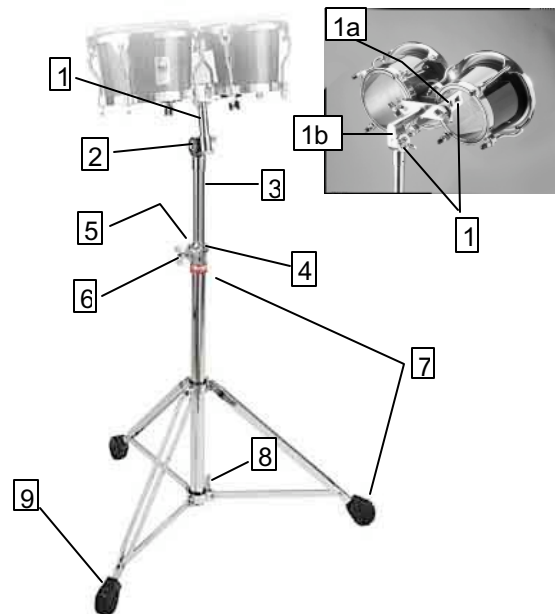
### 9517

Part #	Description
1 # GP-2095	TOP WING NUT WITH WASHER
2 # GP-2086	UPPER SHAFT
3 # GP-2093	CONGA SHELL SUPPORT
4 # GP-2085	1" MEMORY LOCK
5 # GP-2002	1" INNER BUSHING
6 # GP-5091	BOLT SET
7 # GP-2215	LOWER BASE ASSEMBLY
8 # GP-0009	WING BOLT
9 # SC-PC09	RUBBER FOOT



### 9516

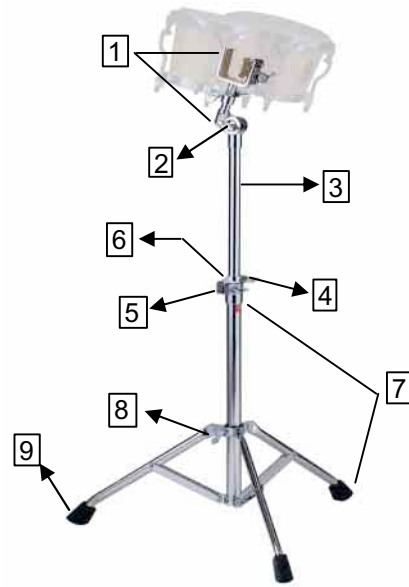
Part #	Description
1 # GP-5027	BONGO MOUNT ASSEMBLY COMPLETE
1a # GP-2092	BONGO SHELL BRACE
1b # GP-2091	MOUNTING PLATE ONLY
2 # GP-2087	TILTER RATCHET BOLT KIT
3 # GP-2094	UPPER SHAFT
4 # GP-2085	1" MEMORY LOCK
5 # GP-2002	1" INNER BUSHING
6 # GP-5117	BOLT SET, LONG
7 # GP-2215	LOWER BASE ASSEMBLY
8 # GP-0009	WING BOLT
9 # SC-PC09	RUBBER FOOT



## Percussion Stands

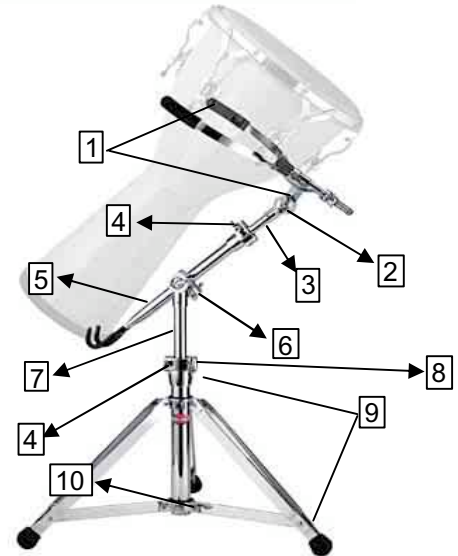
### 7516

Part #	Description
1 # GP-5026	BONGO MOUNT ASSEMBLY
2 # GP-2087	TILTER RATCHET BOLT KIT
3 # GP-5129	UPPER SHAFT
4 # GP-2085	1" MEMORY LOCK
5 # GP-5117	BOLT KIT, LONG
6 # GP-2002	1" INNER BUSHING
7 # GP-2008	LOWER BASE ASSEMBLY
8 # GP-0009	WING BOLT
9 # SC-PC08	RUBBER FOOT



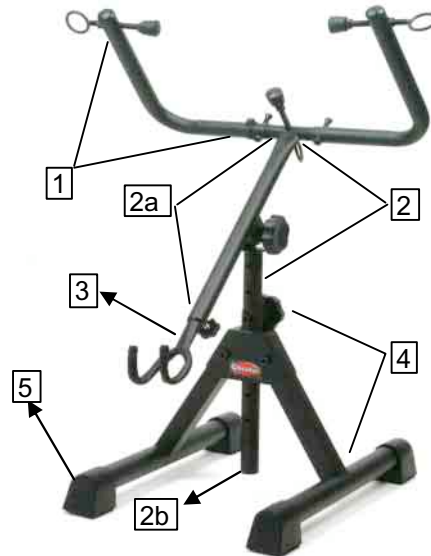
### GPDS

Part #	Description
1 # GP-5230	UPPER BASKET SUPPORT
2 # GP-4042	TILTER RATCHET HARDWARE
3 # GP-4043	BASKET SHAFT </td
4 # GPR009	BOLT SET
5 # GP-5231	LOWER DJEMBE SUPPORT TUBE
6 # GP-4091	2 POINT BOOM ADJUST MECHANISM (Large)
7 # GP-2016	UPPER SHAFT
8 # GPR005	8MM HEX NUT
9 # GP-5232	LOWER BASE ASSEMBLY
10 # GP-0009	WING SCREW



### GDS

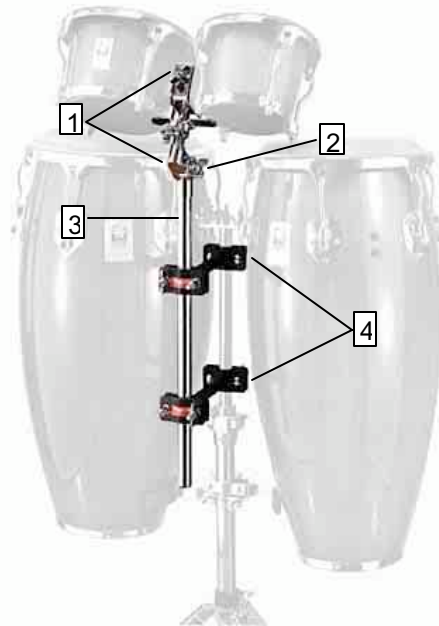
Part #	Description
1 # GP-5040	DRUM SUPPORT ARM
2 # GP-5041	TILTER BOOM ASSEMBLY COMPLETE
2a # GP-5041A	VERTICAL T-ARM ONLY
2b # GP-5041B	HEIGHT ADJUST TUBE W/ TENSION KNOB
3 # GP-5249	EXTENSION SUPPORT ARM
4 # GP-5080	BASE ASSEMBLY COMPLETE
5 # SC-RF	RUBBER FOOT



## Percussion Stands

### SC-BDCM

Part #	Description
1 # GP-5026	BONGO MOUNT ASSEMBLY
2 # GP-2087	TILTER RATCHET BOLT KIT
3 # GP-5129	UPPER SHAFT
4 # GP-5233	BONGO TUBE MULTI-CLAMP



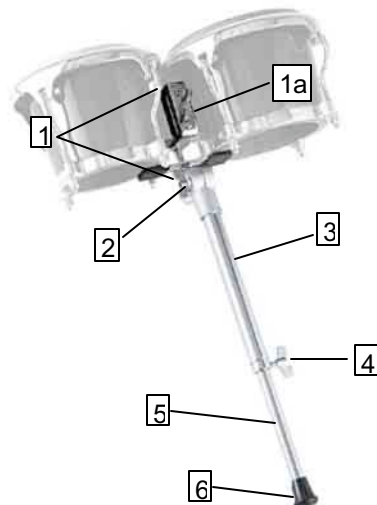
### GBSA

Part #	Description
1 # GP-5026	BONGO MOUNT ASSEMBLY
2 # GP-2087	TILTER RATCHET BOLT KIT
3 # GP-5234	SHORT TUBE FOR BONGO MOUNT
4 # GP-5235	RUBBER FOOT FOR SHORT TUBE
5 # GP-5236	EXTENSION TUBE W/ COUNTERWEIGHT
6 # SC-SSMC	SUPER SPANNER MULTI-CLAMP



### GSPBS

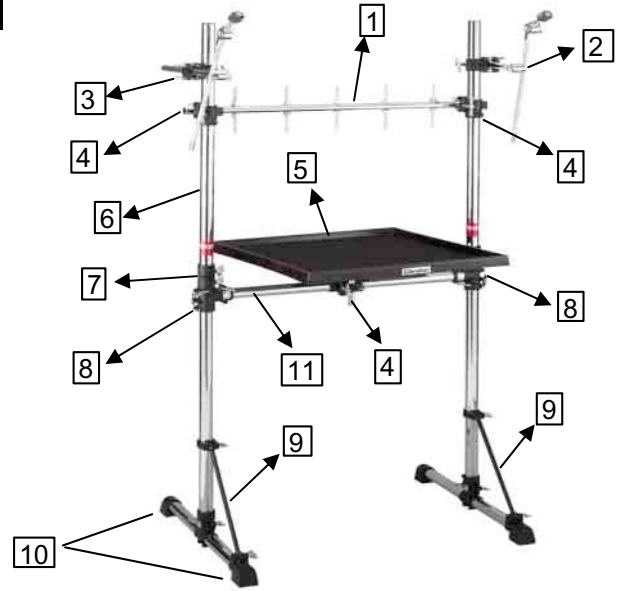
Part #	Description
1 # GP-5237	BONGO MOUNT COMPLETE
1a # GP-5238	C - CLAMP FOR BONGO MOUNT
2 # GP-2087	TILTER RATCHET BOLT KIT
3 # GP-5239	UPPER TUBE FOR BONGO MOUNT
4 # GP-0009	WING SCREW
5 # GP-5240	LEG FOR BONGO STAND
6 # GP-5241	RUBBER FOOT FOR BONGO STAND LEG



## Percussion Stands

### GPRWS

Part #	Description
1 # GPRPB-36	36" PERCUSSION BAR
2 # SC-4425B-1	CYMBAL BOOM ARM
3 # SC-GPRMC	MULTI-CLAMP
4 # SC-GPRML	MEMORY LOCK ON RACK BAR
5 # GPRPT	PERCUSSION TABLE WITH MOUNTING ARM
6 # SC-GPR36	36" VERTICAL RACK TUBE
7 # SC-GPREX	EXTENSION CLAMP
8 # SC-GPRTC	T-CLAMP
9 # SC-GPRLB	LEG BRACE
10 # SC-GPRTLA	T-LEG ASSEMBLY COMPLETE
11 # SC-GPR30	30" HORIZONTAL RACK TUBE



### GPRPS

Part #	Description
1 # GAB-12	3 POST MOUNTING PLATFORM
2 # SC-4425B-1	CYMBAL BOOM ARM
3 # SC-RBA	RACK BOOM ATTACHMENT
4 # GPRPT	PERCUSSION TABLE WITH MOUNTING ARM
5 # SC-GPRTC	T-CLAMP
6 # SC-GPRML	MEMORY LOCK ON RACK BAR
7 # SC-GPRMC	MULTI-CLAMP
8 # SC-GPR43.5	43.5" VERTICAL RACK TUBE
9 # SC-GPR30	30" HORIZONTAL RACK TUBE
10 # SC-GPRTLA	T-LEG ASSEMBLY COMPLETE



### 7515

Part #	Description
1 # GP-3033	PERCUSSION TABLE TOP
2 # GP-3005	UPPER SHAFT
3 # GP-2005	3/4" INNER BUSHING
4 # GPR009	BOLT SET
5 # GP-5121	LOWER BASE ASSEMBLY
6 # GP-0009	WING BOLT
7 # SC-PC08	RUBBER FOOT



## Percussion Stands

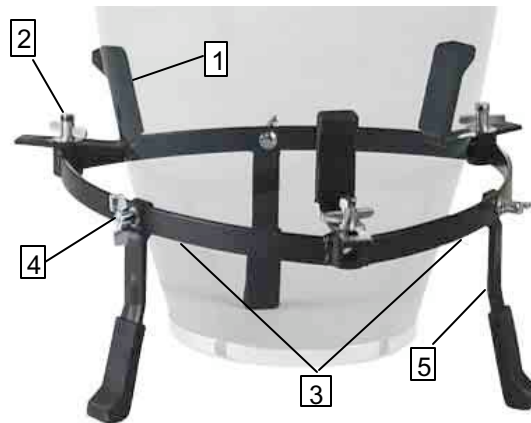
### GCS-M, L

Part #	Description
1 # GP-5035	SLOT MOUNT CONGA SUPPORT, CHROME
2 # GP-4083	WING T- BOLT
3 # GP-3001	UPPER STAND ASSEMBLY FOR GCS-M
3a # GP-3002	UPPER STAND ASSEMBLY FOR GCS-L
4 # GP-2097	HEIGHT ADJUST BOLT KIT
5 # GP-4087	LEG BRACE ASSEMBLY COMPLETE
6 # GP-4085	LEG BRACE BOLT KIT
7 # GP-4088	LEG WITH RUBBER FOOT



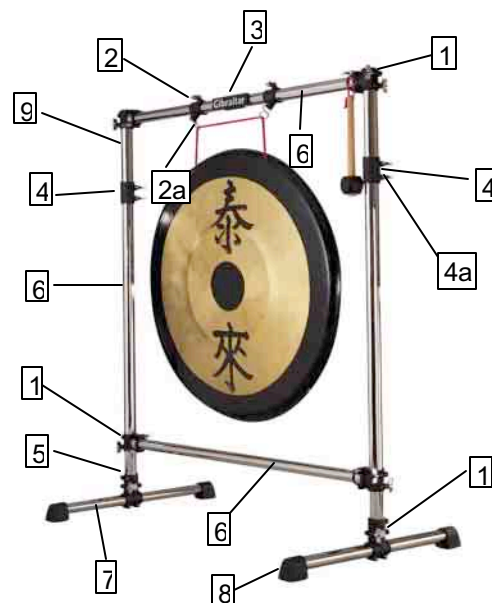
### GCS-LSP

Part #	Description
1 # GP-5036	SLOT MOUNT CONGA SUPPORT, BLACK
2 # GP-4083	WING T-BOLT WITH WASHER
3 # GP-5038	UPPER STAND ASSEMBLY
4 # GP-4085	LEG BRACE BOLT KIT
5 # GP-5039	LEG WITH RUBBER SLEEVE



### GPRGSL

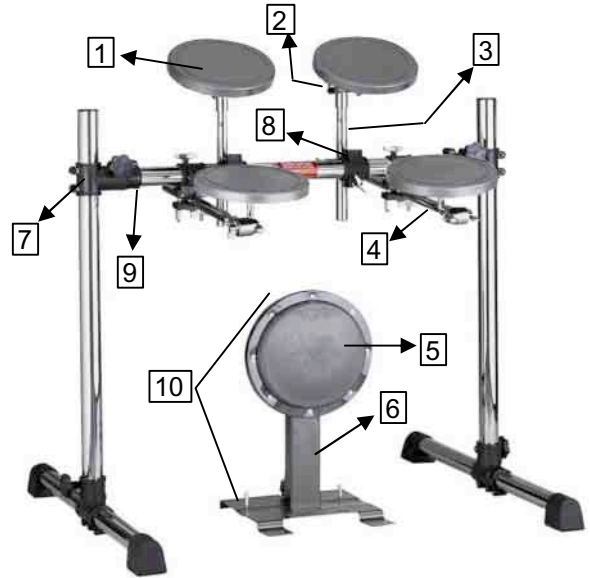
Part #	Description
1 # SC-GPRTL	T-LEG CLAMP
2 # GP-GPRGC	GONG CLAMP FOR S-HOOK
2a # GP-GPRSH	S-HOOK TO HOLD GONG ONTO CLAMP
3 # GPRLOGO	LOGO BADGE FOR RACK TUBE
4 # SC-GPREX	POWER RACK EXTENSION CLAMP
4a # GPR009	BOLT AND WING NUT SET 6MM FOR CLAMPS
5 # SC-GPRML	POWER RACK MEMORY LOCK
6 # SC-GPR43.5	43.5" RACK TUBE
7 # SC-GPR20	20" RACK TUBE
8 # SC-RF	RUBBER FOOT F/ T-LEG ASSEMBLY
9 # SC-GPR12	12" RACK TUBE



## Practice Pad Sets

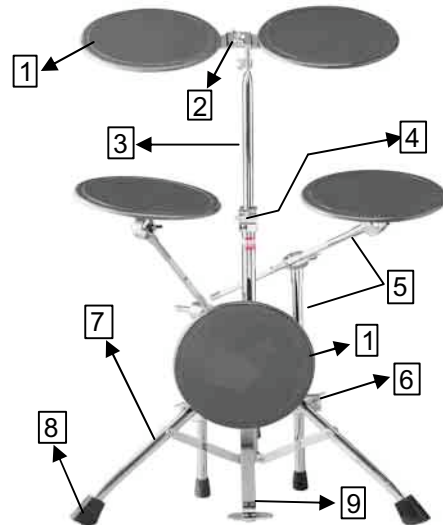
### GP08 PRACTICE PAD SET

Part #	Description
1 # GP-3020	PRACTICE PAD
2 # GP-3016	L-ROD WITH CUP PAD HOLDER
3 # GP-3019	PAD MOUNTING ARM (SHORT)
4 # GP-3018	PAD MOUNTING ARM (LONG)
5 # GP-4094	RUBBER BASS DRUM PAD
6 # GP-3027	STAND ASSEMBLY FOR BASS PAD
7 # PRTC	PLASTIC T-CLAMP
8 # PRMC	PLASTIC MULTI-CLAMP
9 # PRML	PLASTIC MEMORY LOCK
10 # GBDP	BASS DRUM PRACTICE PAD ASSEMBLY



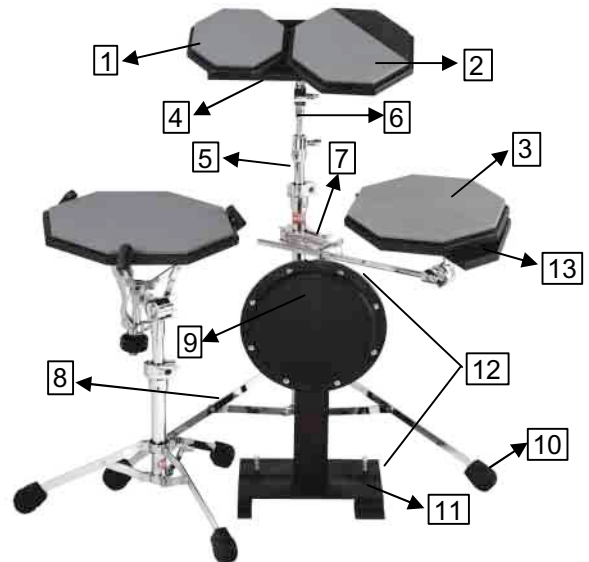
### GP05 PRACTICE PAD SET

Part #	Description
1 # GP-3011	8" RUBBER PRACTICE PAD
2 # GP-3012	PAD MOUNTING ASSEMBLY
3 # GP-3013	UPPER SHAFT
4 # GP-0009	WING SCREW
5 # GP-3014	BOOM ARM ASSEMBLY COMPLETE
6 # GP-3026	ATTACHMENT CLAMP
7 # GP-0008	STAND BASE ASSEMBLY
8 # SC-PC08	RUBBER FOOT
9 # GP-5061	PEDAL MOUNTING BRACKET



### HQ-4 PRACTICE PAD SET

Part #	Description
1 # GP-HQP1	6" SINGLE TOM PAD
2 # GP-HQP2	8" DUAL ZONE PAD
3 # GP-HQP3	10" FLOOR TOM PAD WITH VELCRO
4 # GP-5243	MOUNTING BOARD FOR TOM PAD
5 # GP-4056	MIDDLE SHAFT
6 # GP-4054	UPPER SHAFT
7 # SC-GCA	GRABBER CYMBAL ARM
8 # GP-4057	LOWER BASE ASSEMBLY
9 # GP-4094	RUBBER BASS DRUM PAD
10 # GP-4045	RUBBER FOOT
11 # GP-3027	STAND ASSEMBLY FOR BASS PAD
12 # GBDP	BASS DRUM PRACTICE PAD ASSEMBLY
13 # GP-5244	MOUNTING BOARD WITH INLAID SCREW



**SNARE PAD AND STAND NOT INCLUDED**

## Bass Drum Pedals

### ISP-C & ISP-S

PART #	DESCRIPTION	PART #	DESCRIPTION		
1 #	GP-5095	Rocker Spring Hub with Screws	11 #	GP-5096	Spring Assembly for Rocker Hub
2 #	GP-5071	Adjustable Chain Cam Assembly	12 #	GP-4007	Chain Assembly with Screws
3 #	GP-5075	Adjustable Chain Sprocket Assembly	13 #	GRP2	3 Hole Gibraltar Rock Plate
4 #	GP-5103	Spring Tension Assembly	14 #	GP-5208	Single Cast Pedal Frame
5 #	GP-0020	Anchor Screw Assembly	15 #	SC-DSAB	Dual Surface Adjusting Beater
6 #	GP-5074	Hoop Clamp Assembly	16 #	GP-5200	Hinged Pedal Board - Complete
7 #	SC-2000	Hinge Assembly with Screws	17 #	GP-5242	Rock Plate Screw Kit for 3 Hole Plate
8 #	GP-5201	Upper Footboard Only	18 #	GP-5100	Cam Position Lock
9 #	GP-5202	Heel Plate Only	19 #	SC-0121	Beater Shaft Screw 8mm
10 #	GP-5097	2 piece Beater Holder Link			



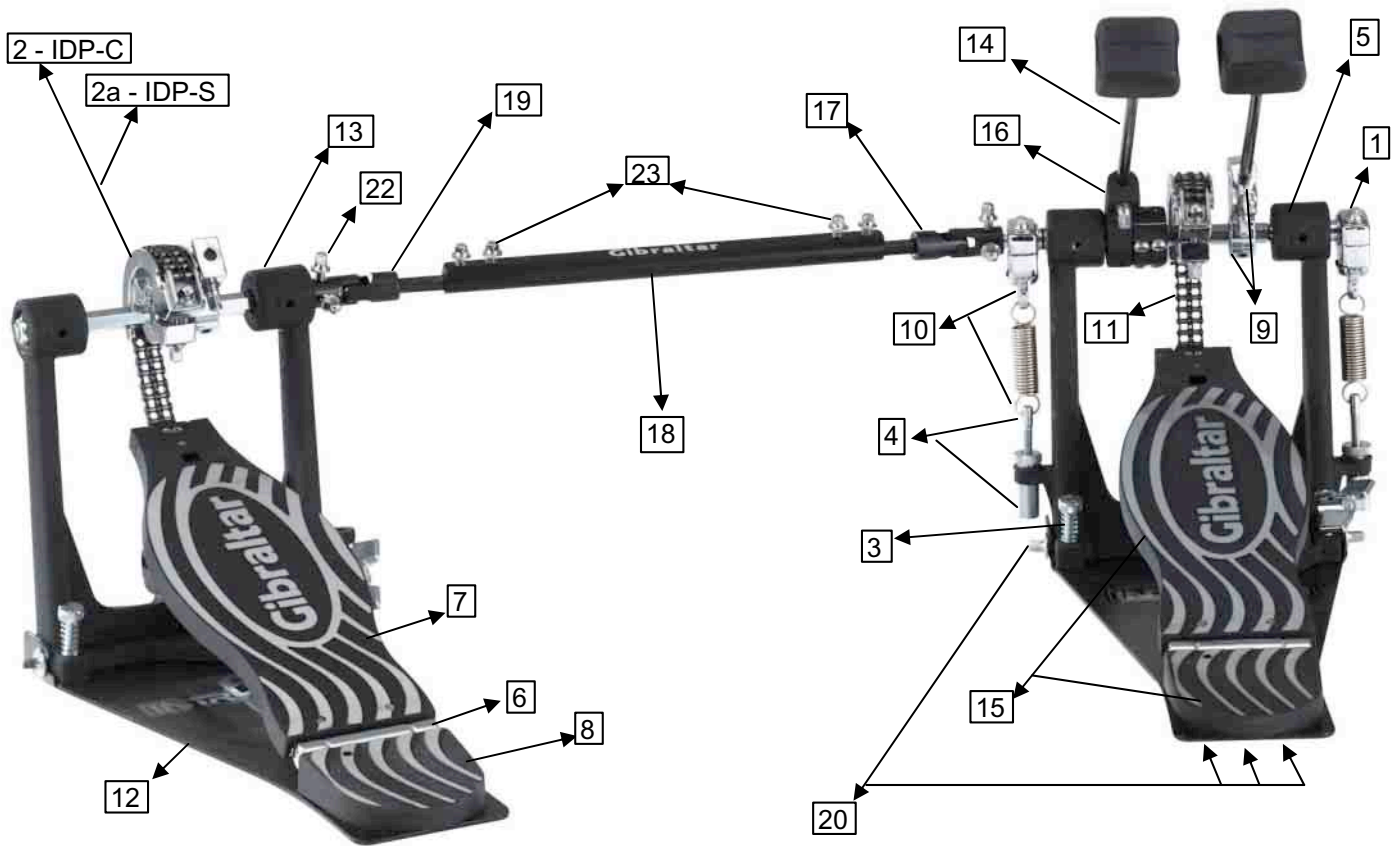
#### NOTES:

Both pedals share the same parts but use either a chain "Sprocket" or chain "Cam".  
 #17 "GP-5242" includes heel plate screws.

## Bass Drum Pedals

### IDP-CB & IDP-SB

PART #	DESCRIPTION	PART #	DESCRIPTION		
1 #	GP-5095	Rocker Spring Hub with Screws	12 #	GRP2	3 Hole Gibraltar Rock Plate
2 #	GP-5071	Adjustable Chain Cam Assembly	13 #	GP-5208	Single Cast Pedal Frame
2a #	GP-5075	Adjustable Chain Sprocket Assembly	14 #	SC-DSAB	Dual Surface Adjusting Beater
3 #	GP-0020	Anchor Spur Assembly	15 #	GP-5200	Hinged Pedal Board - Complete
4 #	GP-5103	Spring Tension Assembly	16 #	GP-4024	Secondary Beater Hub Assembly
5 #	GP-5209	Double Cast Pedal Frame - Black	17 #	GP-3030R	Right Square Connecting Shaft with U-Joint
6 #	SC-2000	Hinge Assembly with Screws	18 #	GP-3029	Center Connecting Shaft Housing
7 #	GP-5201	Upper Footboard Only	19 #	GP-3030L	Left Square Connecting Shaft with U-Joint
8 #	GP-5202	Heel Plate Only	20 #	GP-5242	Rock Plate Screw Kit for 3 Hole Plate
9 #	GP-5097	2 piece Beater Holder Link	21 #	GP-5074	Hoop Clamp Assembly
10 #	GP-5096	Spring Assembly for Rocker Hub	22 #	SC-0128	Fastening Screw 5mm
11 #	GP-4007	Chain Assembly with Screws	23 #	SC-0129	Fastening Screw 6mm



#### NOTES:

The IDP-CB uses a chain "Cam" assembly and the IDP-SB uses a chain "Sprocket" assembly, otherwise, the two pedals are the same. Part # 20 "GP-5242" includes the heel plate screws.

## Bass Drum Pedals

### ASP

PART #	DESCRIPTION	PART #	DESCRIPTION		
1 #	GP-5095	Rocker Spring Hub with Screws	9 #	GP-4070	Beater Holder
2 #	GP-5068	Chain Cam Assembly with Chain	10 #	GP-5096	Spring Assembly for Rocker Hub
3 #	GP-0020	Anchor Spur Assembly	11 #	GP-4007	Chain Assembly with Screws
4 #	GP-0053	Spring Tension Assembly	12 #	GP-4018	Radius Rod Assembly
5 #	GP-4017	Hoop Clamp Assembly	13 #	GP-5206	Single Cast Pedal Frame
6 #	SC-2000	Hinge Assembly with Screws	14 #	SC-DSAB	Dual Surface Adjusting Beater
7 #	GP-5201	Upper Footboard Only	15 #	GP-5200	Hinged Pedal Board - Complete
8 #	GP-5202	Heel Plate Only	16 #	SC-0121	Beater Shaft Screw 8mm



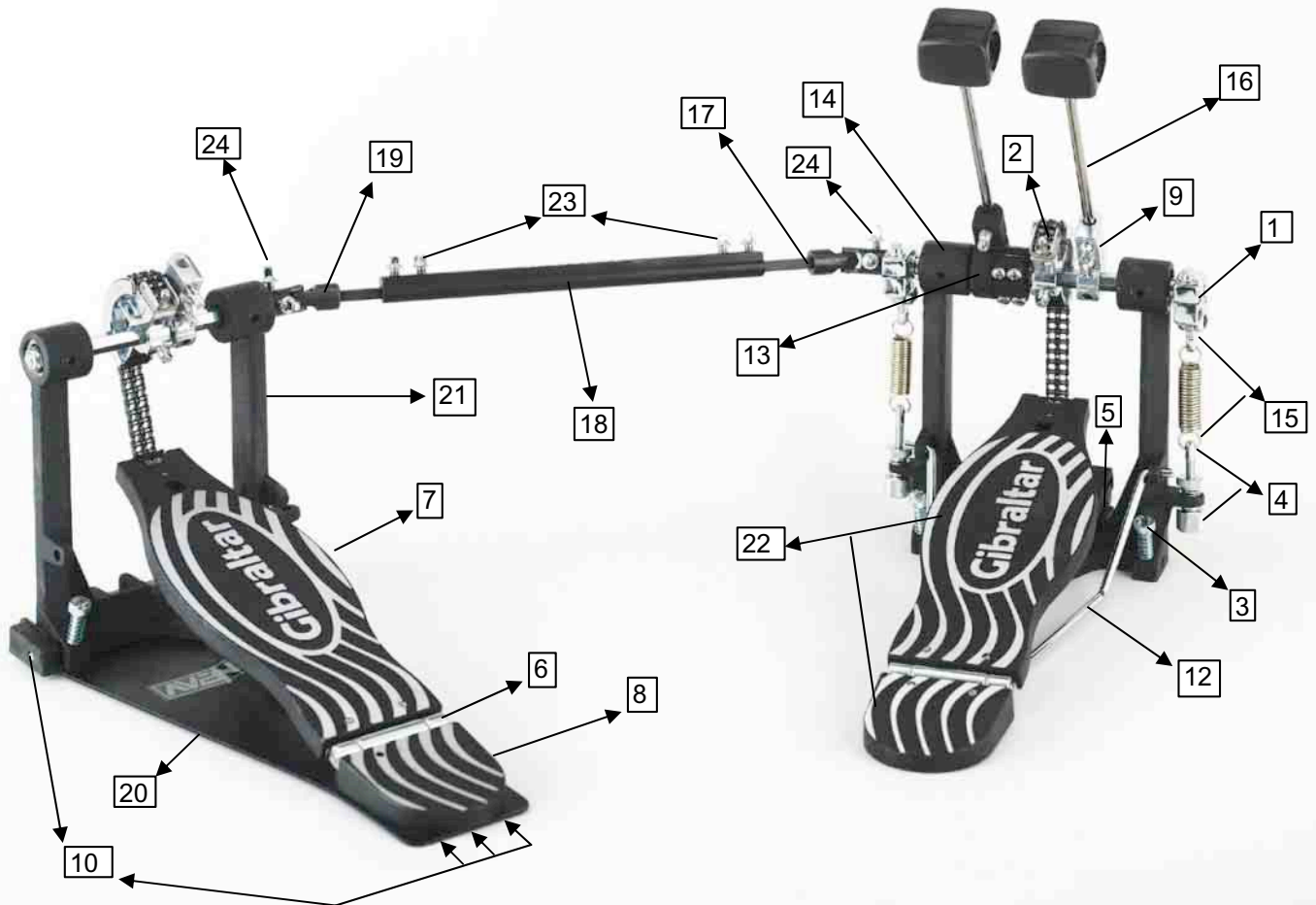
#### NOTES:

Optional accessory - GRP - Gibraltar rock plate. This can replace the Radius Rod for added stability.

## Bass Drum Pedals

### ADP

PART #	DESCRIPTION	PART #	DESCRIPTION		
1 #	GP-5095	Rocker Spring Hub with Screws	13 #	GP-4024	Beater Hub Assembly
2 #	GP-5068	Chain Cam Assembly with Chain	14 #	GP-5207	Double Cast Pedal Frame - Black
3 #	GP-0020	Anchor Spur Assembly	15 #	GP-5096	Spring Assembly for Rocker Hub
4 #	GP-0053	Spring Tension Knob Assembly	16 #	SC-DSAB	Dual Surface Adjusting Beater
5 #	GP-4017	Hoop Clamp Assembly	17 #	GP-3030R	Right Square Connecting Shaft with U-Joint
6 #	SC-2000	Hinge Assembly with Screws	18 #	GP-3029	Center Connecting Shaft Housing
7 #	GP-5201	Upper Footboard Only	19 #	GP-3030L	Left Square Connecting Shaft with U-Joint
8 #	GP-5202	Heel Plate Only	20 #	GRP2	3 Hole Gibraltar Rock Plate
9 #	GP-4070	Beater Holder Link	21 #	GP-5206	Single Cast Pedal Frame
10 #	GP-5242	Rock Plate Screw Kit for 3 Hole Plate	22 #	GP-5200	Hinged Pedal Board - Complete
11 #	GP-4007	Chain Assembly with Screws	23 #	SC-0129	Fastening Screw 6mm
12 #	GP-4018	Radius Rod Assembly	24 #	SC-0128	Fastening Screw 5mm



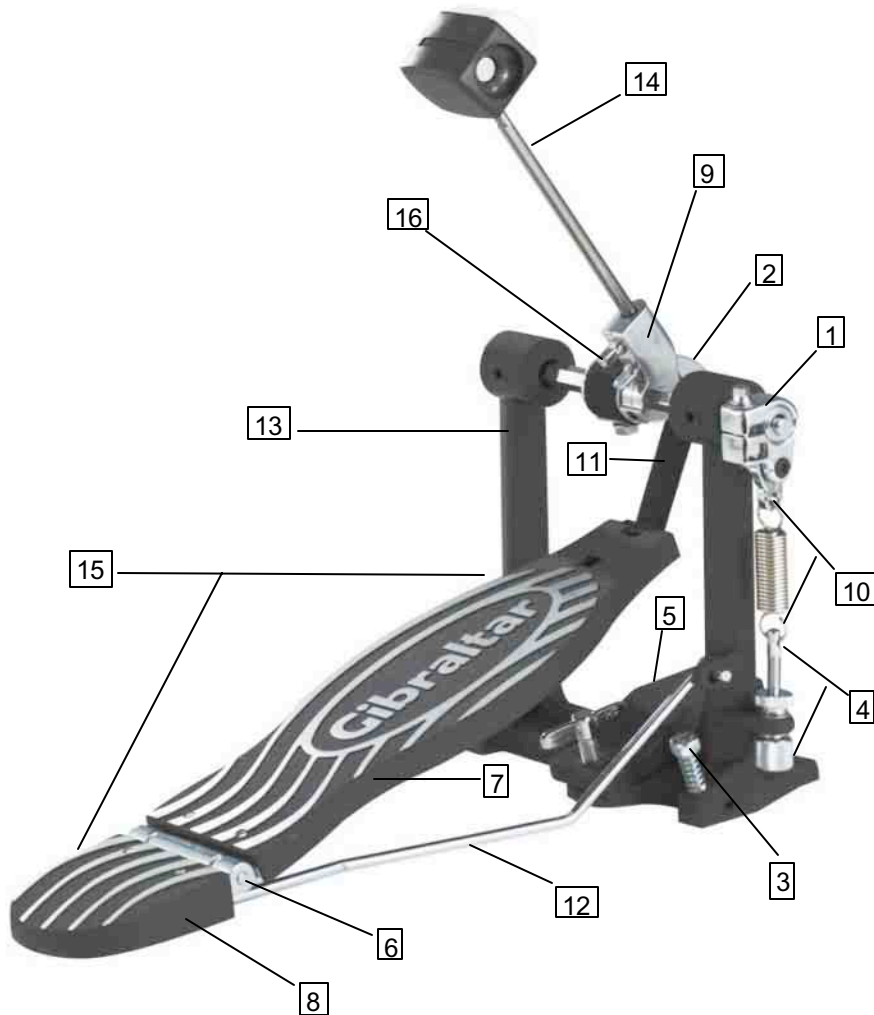
#### NOTES:

Optional accessory - GRP - Gibraltar rock plate. This can replace the Radius Rod for added stability.  
 Part # 10 "GP-5242" includes the heel plate screws.

## Bass Drum Pedals

### ASP-SD

PART #	DESCRIPTION	PART #	DESCRIPTION
1 # GP-5095	Rocker Spring Hub with Screws	9 # GP-4070	Beater Holder
2 # GP-5203	Strap Cam Assembly	10 # GP-5096	Spring Assembly for Rocker Hub
3 # GP-0020	Anchor Spur Assembly	11 # GP-5178	Nylon Strap
4 # GP-0053	Spring Tension Assembly	12 # GP-4018	Radius Rod Assembly
5 # GP-4017	Hoop Clamp Assembly - Black	13 # GP-5206	Single Cast Pedal Frame
6 # SC-2000	Hinge Assembly with Screws	14 # SC-DSAB	Dual Surface Adjusting Beater
7 # GP-5201	Upper Footboard Only	15 # GP-5200	Hinged Pedal Board - Complete
8 # GP-5202	Heel Plate Only	16 # SC-0121	Beater Shaft Screw 8mm



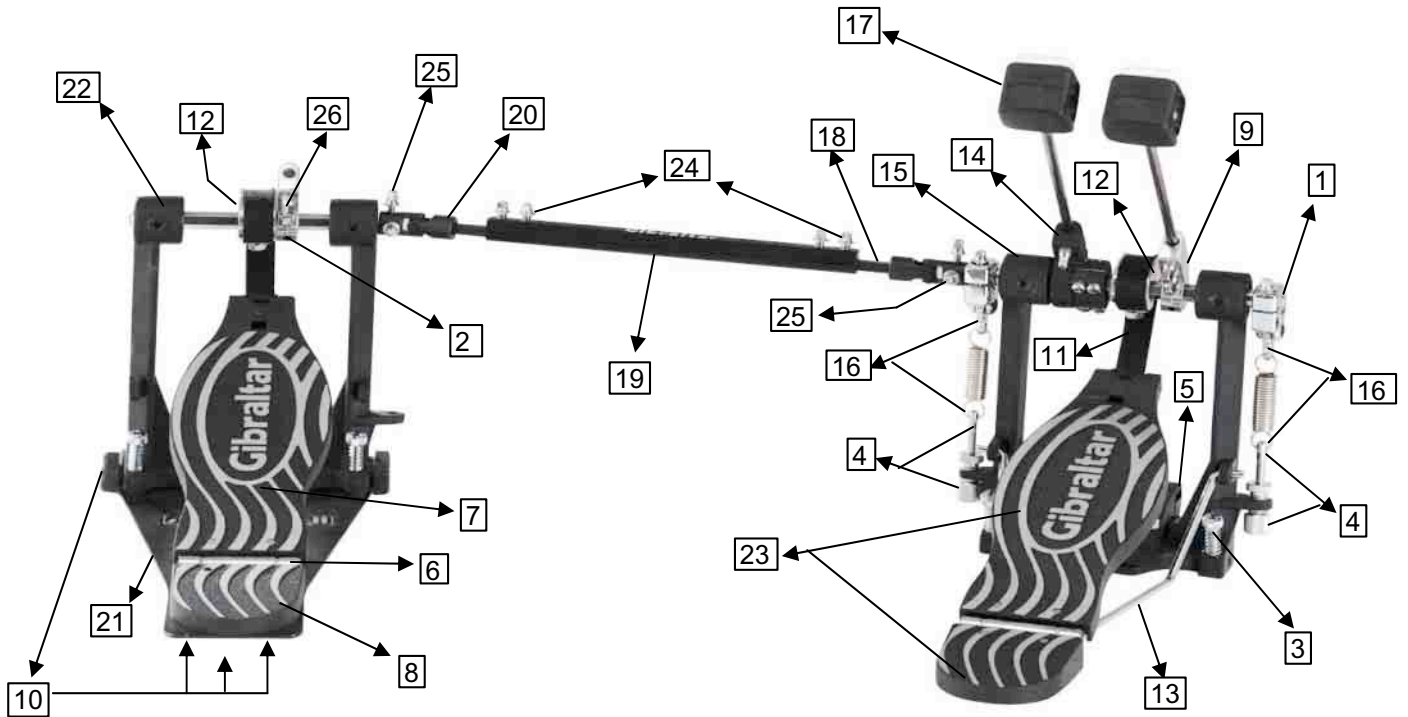
#### NOTES:

Optional accessory - GRP - Gibraltar rock plate. This can replace the Radius Rod for added stability.

## Bass Drum Pedals

### ADP-SD

PART #	DESCRIPTION	PART #	DESCRIPTION		
1 #	GP-5095	Rocker Hub	14 #	GP-4024	Beater Hub Assembly
2 #	GP-2026	Allen Screw	15 #	GP-5207	Double Cast Pedal Frame - Black
3 #	GP-0020	Anchor Spur Assembly	16 #	GP-5096	Spring Assembly for Rocker Hub
4 #	GP-0053	Spring Tension Knob Assembly	17 #	SC-DSAB	Dual Surface Adjusting Beater
5 #	GP-4017	Hoop Clamp Assembly	18 #	GP-3030R	Right Square Connecting Shaft with U-Joint
6 #	SC-2000	Hinge Assembly with Screws	19 #	GP-3029	Center Connecting Shaft Housing
7 #	GP-5201	Upper Footboard Only	20 #	GP-3030L	Left Square Connecting Shaft with U-Joint
8 #	GP-5202	Heel Plate Only	21 #	GRP2	3 Hole Gibraltar Rock Plate
9 #	GP-4070	Beater Holder	22 #	GP-5206	Single Cast Pedal Frame
10 #	GP-5242	Rock Plate Screw Kit for 3 Hole Plate	23 #	GP-5200	Hinged Pedal Board - Complete
11 #	GP-5178	Nylon Strap	24 #	SC-0129	Fastening Screw 6mm
12 #	GP-5203	Strap Cam Assembly	25 #	SC-0128	Fastening Screw 5mm
13 #	GP-4018	Radius Rod Assembly	26 #	SC-0121	Beater Shaft Screw 8mm



#### NOTES:

Part # 10 "GP-5242" includes the heel plate screws. Optional accessory - GRP - Gibraltar rock plate. This can replace the Radius Rod for added stability.

## Bass Drum Pedals

### PSP

PART #	DESCRIPTION	PART #	DESCRIPTION
1 #	GP-4072 Spring Cam Assembly	10 #	GP-DSAB Dual Surface Adjusting Beater
2 #	GP-5093 Drum Key 6mm set screw	11 #	GP-5063 Chain Cam Assembly with Chain
3 #	GP-0020 Anchor Spur Assembly	12 #	GP-0055 Wing Screw for Hoop Clamp
4 #	SC-0053 Spring Tension Assembly	13 #	GP-4018 Radius Rod Assembly
5 #	GP-4017 Hoop Clamp Assembly	14 #	GP-5204 Single Cast Pedal Frame -Black
6 #	SC-2000 Hinge Assembly with Screws	15 #	GP-5200 Hinged Pedal Board - Complete
7 #	GP-5201 Upper Footboard Only	16 #	SC-0121 Beater Shaft Screw 8mm
8 #	GP-5202 Heel Plate Only	17 #	GP-0051 Spring Cam Roller w/ Screw
9 #	GP-4070 Beater Holder	18 #	GP-4015 Hoop Clamp Adjuster Assembly



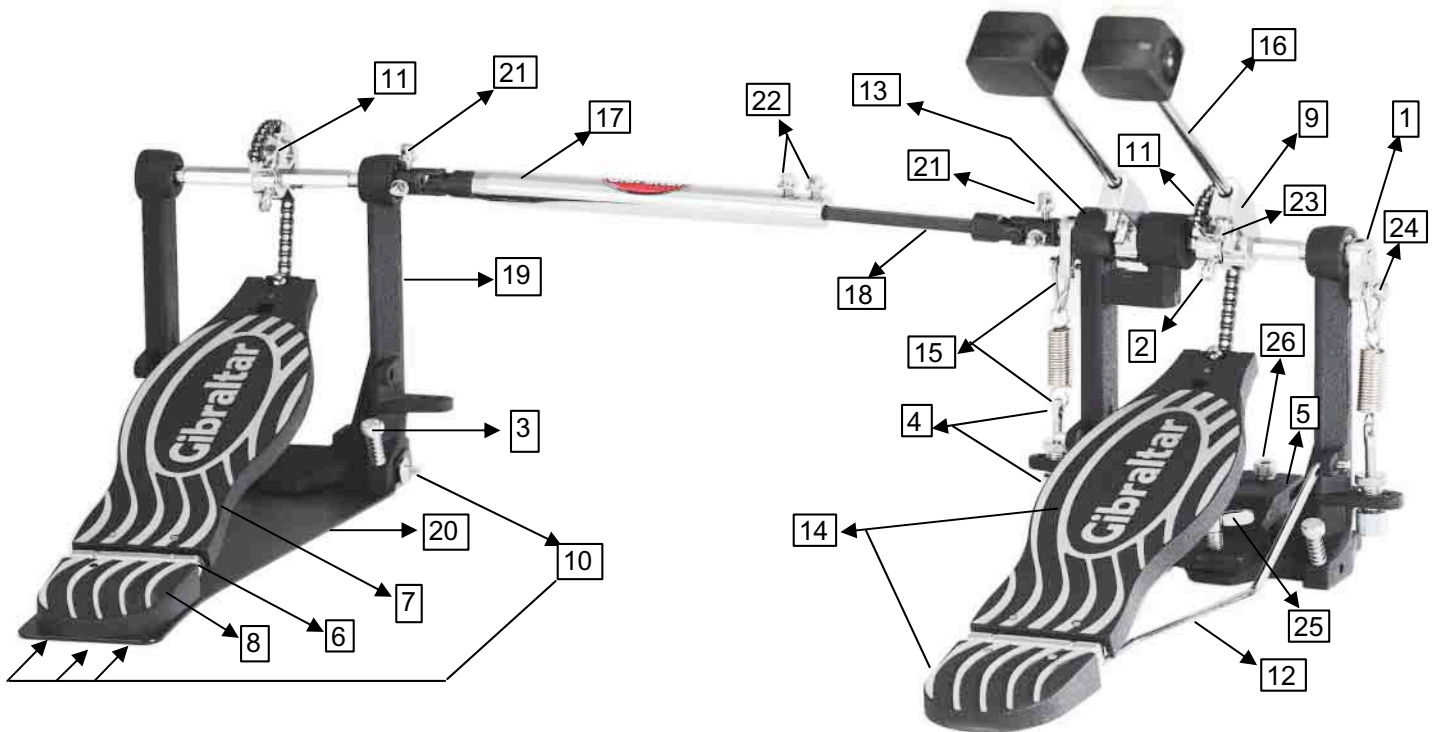
#### NOTES:

Optional accessory - GRP - Gibraltar Rock Plate. This can replace the Radius Rod for added stability.

## Bass Drum Pedals

### PDP

PART #	DESCRIPTION	PART #	DESCRIPTION
1 #	GP-4072 Spring Cam Assembly	14 #	GP-5200 Hinged Pedal Board - Complete
2 #	GP-5093 Drum Key 6mm set screw	15 #	SC-0052 Pedal Spring
3 #	GP-0020 Anchor Spur Assembly	16 #	SC-DSAB Dual Surface Adjusting Beater
4 #	SC-0053 Spring Tension Assembly	17 #	GP-0066 Chrome Connecting Shaft w/ U-Joint
5 #	GP-4017 Hoop Clamp Assembly	18 #	GP-0067 Black Connecting Rod w/ U-Joint
6 #	SC-2000 Hinge Assembly with Screws	19 #	GP-5204 Single Pedal Cast Frame - Black
7 #	GP-5201 Upper Footboard Only	20 #	GRP2 3 Hole Gibraltar Rock Plate
8 #	GP-5202 Heel Plate Only	21 #	SC-0128 Fastening Screw 5mm
9 #	GP-4070 Beater Holder Link	22 #	SC-0129 Fastening Screw 6mm
10 #	GP-5242 Rock Plate Screw Kit	23 #	SC-0121 Beater Shaft Screw 8mm
11 #	GP-5063 Chain Cam Assembly with Chain	24 #	GP-0051 Spring Cam Roller w/ Screw
12 #	GP-4018 Radius Rod Assembly	25 #	GP-0055 Wing Screw for Hoop Clamp
13 #	GP-5205 Double Cast Pedal Frame -Black	26 #	GP-4015 Hoop Clamp Adjuster Assembly



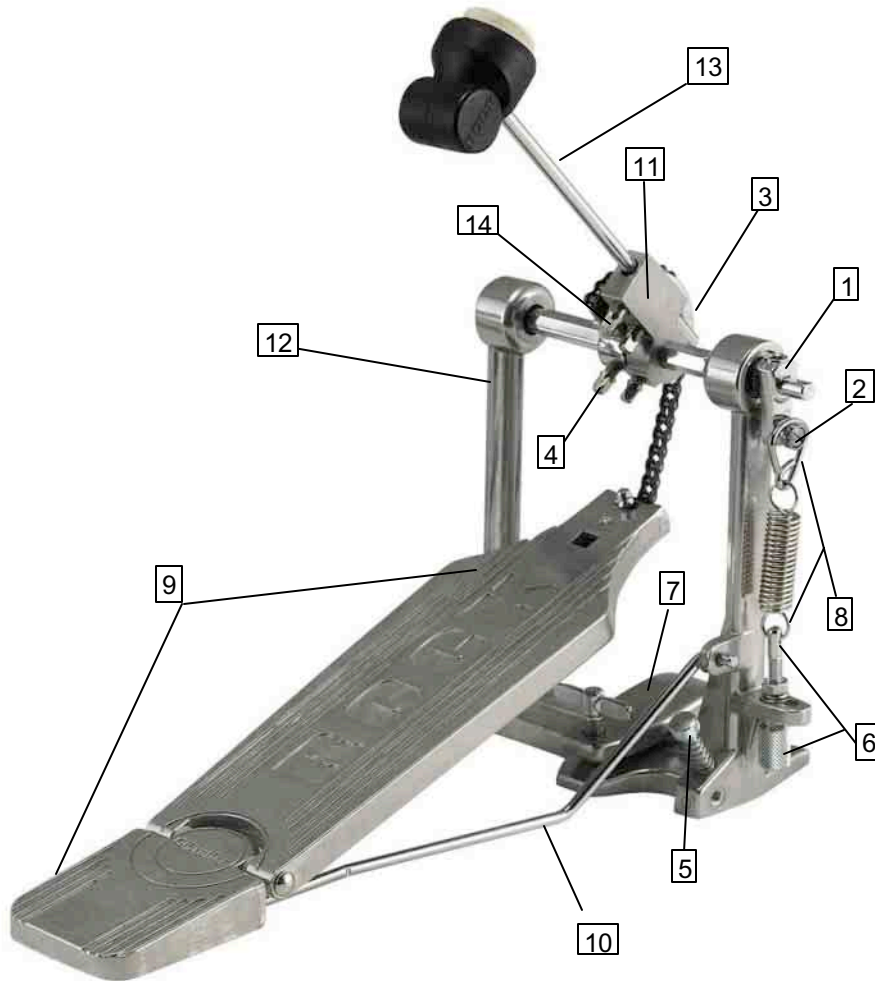
#### NOTES:

Part # 10 "GP-5242" includes the heel plate screws. Optional accessory - GRP - Gibraltar rock plate. This can replace the Radius Rod for added stability.

## Bass Drum Pedals

### RBG2-11

PART #	DESCRIPTION	PART #	DESCRIPTION
1 #	GP-5172 Spring Cam Assembly	8 #	SC-0052 Pedal Spring
2 #	GP-2082 Spring Cam Rollar With Screw	9 #	RP-5003 Complete Pedal Board
3 #	GP-5063 Chain Cam Assembly with Chain	10 #	GP-4018 Radius Rod Assembly
4 #	GP-5093 Drum Key 6mm set screw	11 #	GP-4070 Beater Holder Link
5 #	GP-0020 Anchor Spur Assembly	12 #	GP-5067 Single Cast Pedal Frame
6 #	GP-0053 Spring Tension Assembly	13 #	GP-5062 Rock Bass Drum Beater
7 #	GP-5104 Hoop Clamp Assembly	14 #	SC-0121 Beater Shaft Screw 8mm



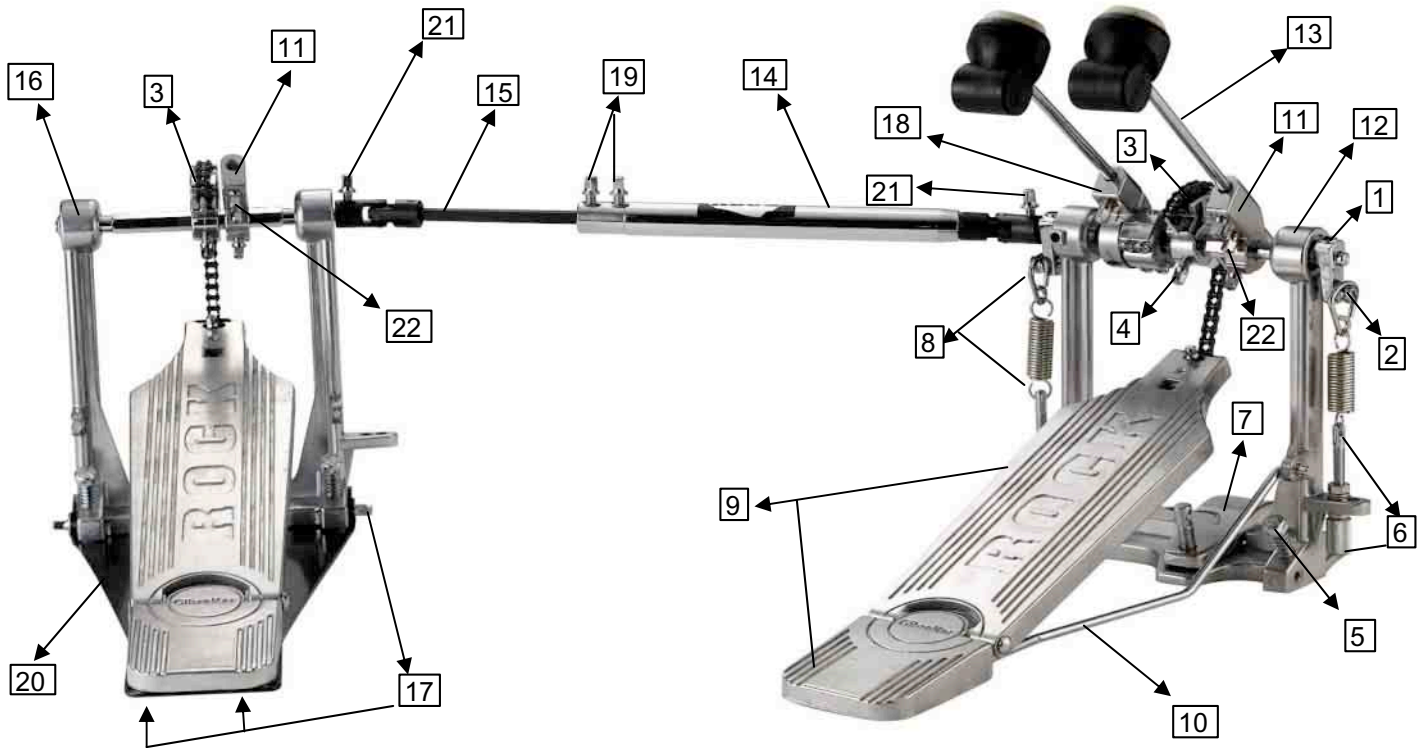
#### NOTES:

Optional accessory - GRP - Gibraltar rock plate. This can replace the Radius Rod for added stability.

## Bass Drum Pedals

### RBG2-11DB






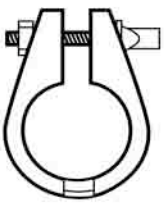
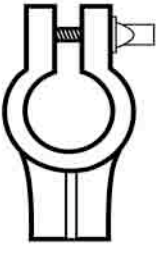
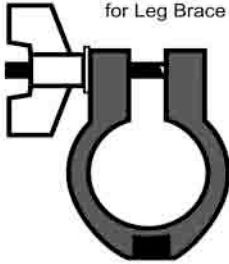
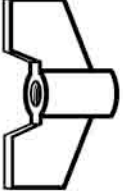
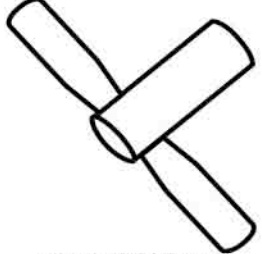
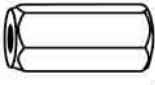

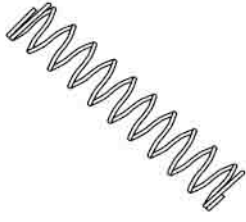

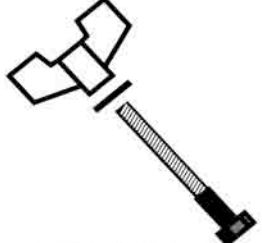
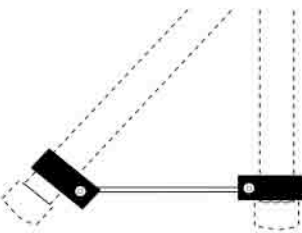
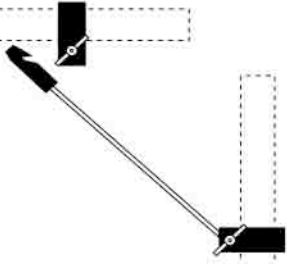
PART #	DESCRIPTION	PART #	DESCRIPTION
1 #	GP-5172 Spring Cam Assembly	12 #	GP-5105 Double Cast Pedal Frame
2 #	GP-2082 Spring Cam Rollar With Screw	13 #	GP-5062 Rock Bass Drum Beater
3 #	GP-5063 Chain Cam Assembly with Chain	14 #	GP-0066 Chrome Connecting Shaft W/ U-Joint
4 #	GP-5093 Drum Key 6mm set screw	15 #	GP-0067 Black Connecting Rod w/ U-Joint
5 #	GP-0020 Anchor Spur Assembly	16 #	GP-5067 Single Cast Pedal Frame
6 #	GP-0053 Spring Tension Assembly	17 #	GP-2035 Rock Plate Screw Kit
7 #	GP-5104 Hoop Clamp Assembly	18 #	GP-4024 Secondary Beater Hub Assembly
8 #	SC-0052 Pedal Spring	19 #	SC-0129 Fastening Screw 6mm
9 #	RP-5003 Complete Pedal Board	20 #	GRP Gibraltar Rock Plate
10 #	GP-4018 Radius Rod Assembly	21 #	SC-0128 Fastening Screw 5mm
11 #	GP-4070 Beater Holder Link	22 #	SC-0121 Beater Shaft Screw 8mm



#### NOTES:

Part # 17 "GP-2035" includes heel plate screws. Optional accessory - GRP - Gibraltar rock plate. This can replace the Radius Rod for added stability.

# SPARE PARTS FOR GIBRALTAR RACK SYSTEMS GRS & GPR SERIES

<p><b>Round Rubber Foot</b></p>  <p>PART # SC-RF/R</p>	<p><b>Rubber Foot</b> for T-Leg Assembly</p>  <p>PART # SC-RF</p>	<p><b>Plastic End Cap</b> for Rack Tubes 1-1/2" diameter</p>  <p>PART # GPR001</p>	<p><b>Plastic Insert</b> for GPRMC (Multi-clamp)</p>  <p>PART # GPR002</p>
<p><b>Memory Lock 1"</b></p>  <p>PART # SC-ML1</p>	<p><b>Memory Lock 7/8"</b></p>  <p>PART # SC-ML78</p>	<p><b>Memory Lock 3/4"</b></p>  <p>PART # SC-ML34</p>	<p><b>Plastic Collar</b> for Leg Brace</p>  <p>PART # GPR003</p>
<p><b>Wing Nut</b> 8mm fits all multi-clamps</p>  <p>PART # SC-13F</p>	<p><b>T-Nut</b> 8mm fits various rack clamps</p>  <p>PART # GPR004</p>	<p><b>Nut</b> 8mm for all multi-clamps</p>  <p>PART # GPR005</p> <p><b>Washer</b> 8mm fits various rack clamps</p>  <p>PART # GPR006</p>	<p><b>Spring</b> 8mm for all multi-clamps</p>  <p>PART # GPR007</p>
<p><b>Nut &amp; Bolt Set</b> 6mm fits GPRML</p>  <p>PART # GPR008</p>	<p><b>Bolt &amp; Wing Nut Set</b> 6mm for GPRTC</p>  <p>PART # GPR009</p>	<p><b>Foot Brace Assembly</b></p>  <p>PART # GPR010</p>	<p><b>Leg Brace Assembly</b></p>  <p>PART # SC-GPRLB</p>



Visit Gibraltar On-Line at [www.gibraltarhardware.com](http://www.gibraltarhardware.com)

**Gibraltar Spare Parts Catalog 2002**

**Kaman Percussion Products**

**KCP-112 Printed in the USA 6/02**

**KAMAN**  
music corporation

P.O. Box 507 Bloomfield, CT 06002