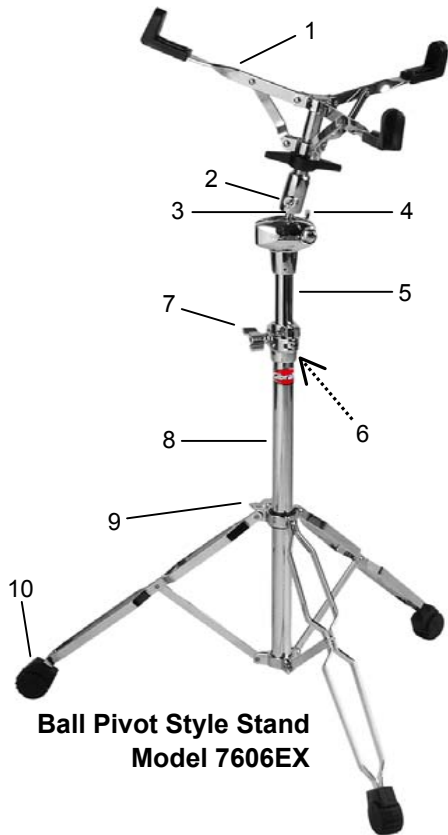




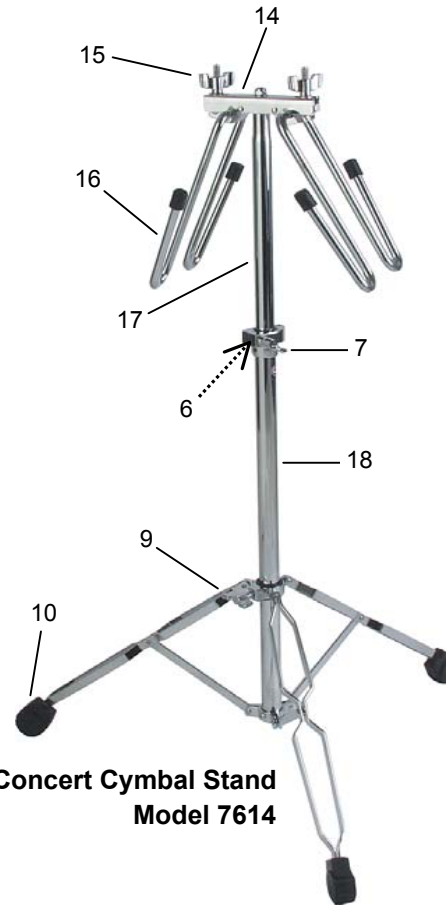
# Concert Series Stands



**Ball Pivot Style Stand  
Model 7606EX**



**Gearless Style Stand  
Model 5606EX**



**Concert Cymbal Stand  
Model 7614**

## Setup Instructions

- A) **Snare Stands** - Open the tripod base of the stand and place it in an upright position.  
 B) Insert the upper stand tube into the stand base.  
 C) Open the snare basket to fit the snare drum to be used.  
 D) Once the snare drum is placed in the basket, slightly tighten the basket to secure the drum. Be aware that over tightening the basket may choke the drum sound, limiting the response.
- A) **7614 Cymbal Stand** - Open the tripod base of the stand and place it in an upright position.  
 B) Insert the upper stand tube into the stand base.  
 C) Place the Hanger Clamps onto the cymbal hanger assembly as shown.

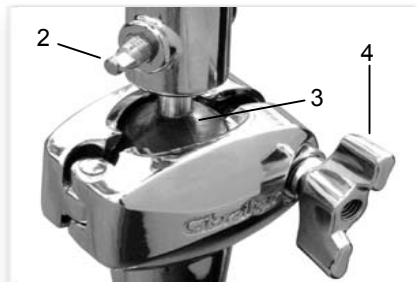
## PARTS

- 1 - GP-6017 Pivot Style Snare Basket
- 2 - GP-0121 8mm Key Screw
- 3 - GP-6097 Snare Basket Pivot Ball
- 4 - GP-6018 Bolt, Washer, and Wing Nut Set
- 5 - GP-6098 Upper Tube for 7606EX
- 6 - GP-6048 7/8" Nylon Inner Sleeve
- 7 - GP-6030 Wing/Short Bolt Set 6mm
- 8 - GP-6061 Lower Stand Base
- 9 - SC-0009 Wing Bolt 8mm
- 10 - SC-PC10 Rubber Foot
- 11 - GP-6051 Snare Basket
- 12 - GP-0052 Wing Nut/Bolt Assembly
- 13 - GP-6099 Upper Tube for 5606EX
- 14 - GP-5021 Hanger Clamp Assembly
- 15 - SC-13P2 Wing Nut 8mm
- 16 - GP-5019 Cymbal Hanger Assembly
- 17 - GP-5022 Upper Tube for 7614
- 18 - GP-6058 Lower Base Assembly for 7614

Check out the entire line of Gibraltar Hardware products at...

[www.GibraltarHardware.com](http://www.GibraltarHardware.com)

**KAMAN MUSIC CORP.**



**Pivot Style Ball**



**Hinged Hanger Clamp**



**T-Style Basket Adjustment**



**Gearless Tilter**