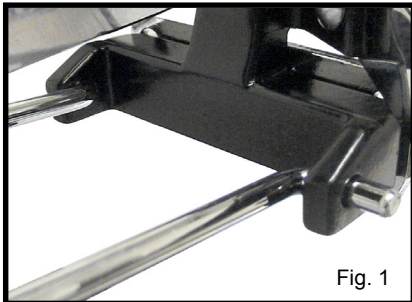


Setup Instructions 8607 Series HiHat Stands

- A)** Remove cardboard and plastic cover from pedal board and attach the **Radius Rod** (GP-0021) to the frame. Fig. 1
- B)** Unfold and adjust the tripod legs to be flush to the ground and slightly raise the middle frame.
- C)** Screw the **Upper Pull Rod** (GP-0016) into the lower pull rod base stem. Fig. 2
- D)** Place the **Upper Height Adjust Tube** (GP-6021) into the base and adjust to the desired position. Use the **Fitted Memory Lock** (GP-6022) on the tube to retain this position.
- E)** Place the bottom hihat cymbal onto the hihat stand **Cup Felt** (SC-HHCF) facing upwards.
- F)** Place the top hihat into the **Hi-Hat Clutch** (GP-4420S), inserting it between the two small felts, and slide it onto the upper pull rod. Secure the upper hihat cymbal with the clutch leaving approximately 1" spacing between the upper and lower hihat cymbals then adjust to the desired spacing.
- G)** Use the **Slide Tension Adjustment** (GP-5171) on the base to change the spring tension. Fig. 3

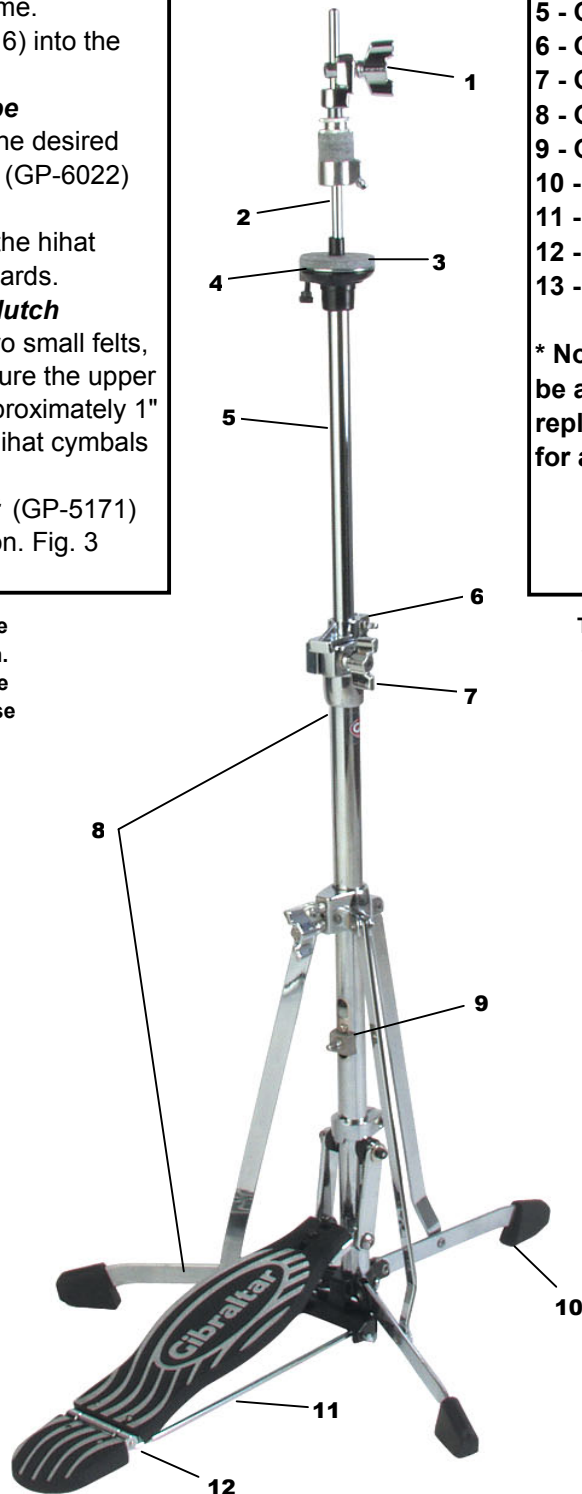
The **Radius Rod** (GP-0021) fits into the frame holes. This secures the pedal board position. To assemble, squeeze the **Radius Rod**, place the rod stems into the frame holes and release it.



Place the **Upper Pull Rod** (GP-0016) into the open hole stem and screw it into the lower pull rod. This should be fairly snug to prevent the hihat cymbals from rotating.



8607 Hi-Hat Stand

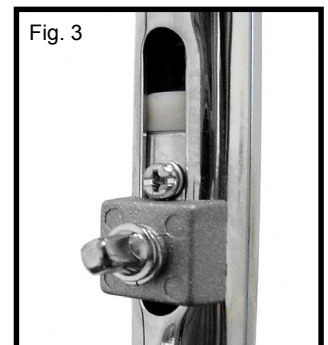


Replacement Part Numbers

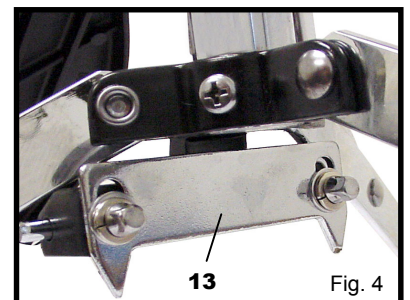
- 1 - SC-4420S Hi-Hat Super Clutch
- 2 - GP-0016 Upper Pull Rod
- 3 - SC-HHCF Cup Felt
- 4 - SC-HHFW Flat Washer
- 5 - GP-6021 Upper Height Adjust Tube
- 6 - GP-6022 Fitted Memory Lock
- 7 - GP-5117 Bolt Set, Long
- 8 - GP-6023 Lower Base Assembly
- 9 - GP-5171 Spring Tension Assembly
- 10 - GP-6024 Flat Base Rubber Foot
- 11 - GP-0021 Radius Rod
- 12 - GP-2000 Pedal Board Hinge
- 13 - GP-6027 Dual Key Adjust Spike

* Note - Some replacement parts may not be available for sale but for warranty replacement only. Please see your dealer for availability.

The **Slide Tension Adjustment** can be adjusted with a drum key. Moving it higher up achieves a tighter spring tension. Adjust it to fit your playing style.



The **Dual Key Adjust Spike** on the bottom front of the frame prevents pedal movement and acts as anchor spurs on carpet. Use the key adjustment to set the position.



Check out the entire line of Gibraltar Hardware products at ...
www.GibraltarHardware.com



KAMAN
music corporation