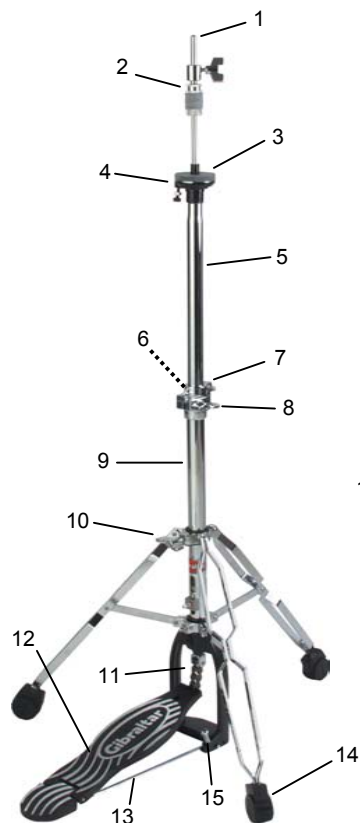


Gibraltar 5600 Series Hardware



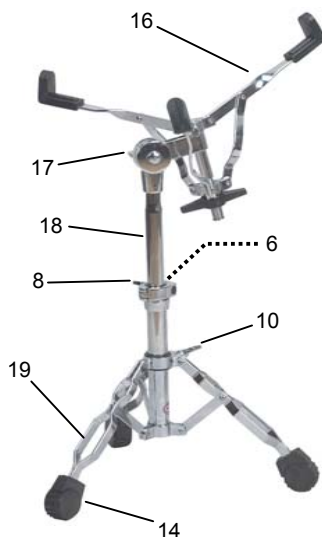
Check out the entire line of
Gibraltar Hardware products at ...
www.GibraltarHardware.com

KAMAN
music corporation



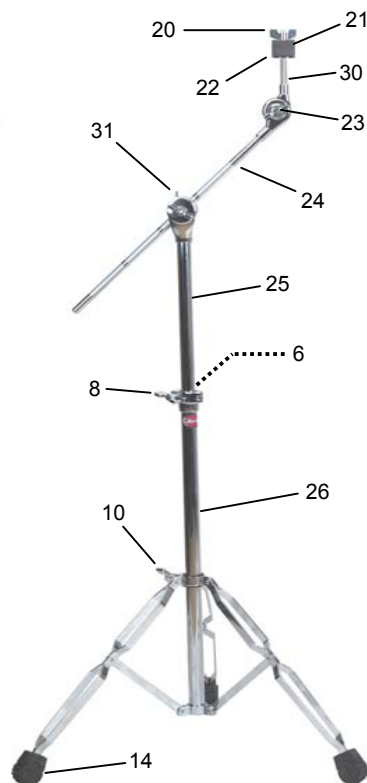
Setup Instructions 5607 Series Hi-Hat Stand

- Remove cardboard and plastic cover from pedal board and attach the radius rod (GP-0021) to the frame.
- Unfold and adjust the tripod legs to be flush to the ground and slightly raise the middle frame.
- Screw the upper pull rod (GP-0016) into the lower base pull rod stem.
- Place the upper height adjust tube (GP-6047) into the base and adjust to the desired position. Use the fitted memory lock (GP-6049) on the tube to retain this position.
- Place the bottom hi-hat cymbal onto the hi-hat stand cup felt (SC-HHCF) facing upwards.
- Place the top hi-hat cymbal into the hi-hat clutch (GP-4421D), inserting it between the two small felts on the clutch, then slip it onto the upper pull rod.
- Secure the upper hi-hat cymbal with clutch onto the pull rod leaving approximately 1" spacing between the upper and lower hi-hat cymbals, then adjust to the desired spacing.



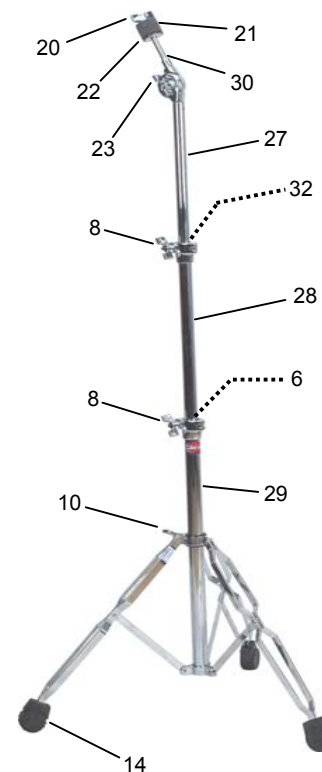
Setup Instructions 5606 Series Snare Stand

- Open the tripod base of the snare stand (GP-6054) and place it in an upright position.
- Insert the upper snare tube (GP-6053) into the stand base.
- Open the snare basket (GP-6051) to fit the snare drum to be used.
- Once the snare drum is placed in the basket, tighten the basket to secure the drum. Be aware that over tightening the basket may choke the drum sound, limiting the response.



Setup Instructions 5609, 5610 Series Cymbal Stands

- Open the tripod stand base of the cymbal stand and place it in an upright position.
- Insert the middle and, or, upper cymbal tube into the stand base.
- Insert the boom arm, 5609 only, into the upper tilter assembly.
- Use the tilter on the upper height adjust tube and, or, the boom arm to position your cymbal to the desired angle.



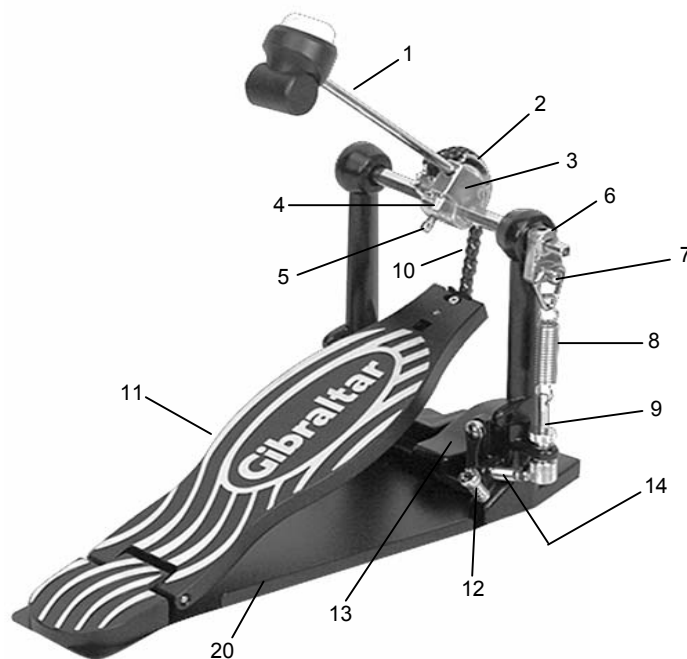
Replacement Part Numbers

- 1 - GP-0016 Upper Pull Rod
- 2 - SC-4421D Hi-Hat Clutch
- 3 - SC-HHCF Cup Felt
- 4 - SC-HHFW Flat Washer
- 5 - GP-6047 Upper Height Adjust Tube
- 6 - GP-6048 Nylon Inner Sleeve 7/8"
- 7 - GP-6049 7/8" Fitted Memory Lock
- 8 - GP-6030 Wing/Short Bolt Set 6mm
- 9 - GP-6050 Hi-Hat Stand Base
- 10 - SC-0009 Wing Bolt 8mm
- 11 - GP-6032 Hi-Hat Chain
- 12 - GP-6033 Pinned Footboard
- 13 - GP-0021 Radius Rod for HiHat
- 14 - SC-PC10 Rubber Foot
- 15 - GP-0020 Anchor Spur Assembly
- 16 - GP-6051 Snare Basket
- 17 - GP-6052 Wing Nut/Bolt Assembly 8mm
- 18 - GP-6053 Upper Height Adjust Tube
- 19 - GP-6054 Lower Base Assembly
- 20 - SC-13P2 Wing Nut 8mm
- 21 - SC-CFS/4 Small Cymbal felt
- 22 - SC-19B Cymbal Sleeve 8mm
- 23 - GP-6055 Wing Nut/Bolt Assembly 8mm
- 24 - GP-6056 Knurled Boom Arm
- 25 - GP-6057 7/8" Upper Height Adjust Tube
- 26 - GP-6058 Lower Base Assembly
- 27 - GP-6059 5/8" Upper Height Adjust Tube
- 28 - GP-6060 Middle Shaft
- 29 - GP-6061 Lower Base Assembly
- 30 - GP-6062 Cymbal Tilter Assembly
- 31 - GP-6068 Hex Bolt/ Wing Nut Assembly
- 32 - GP-6081 Nylon Inner Sleeve 5/8"

Setup Instructions 5611 Series Single Pedal

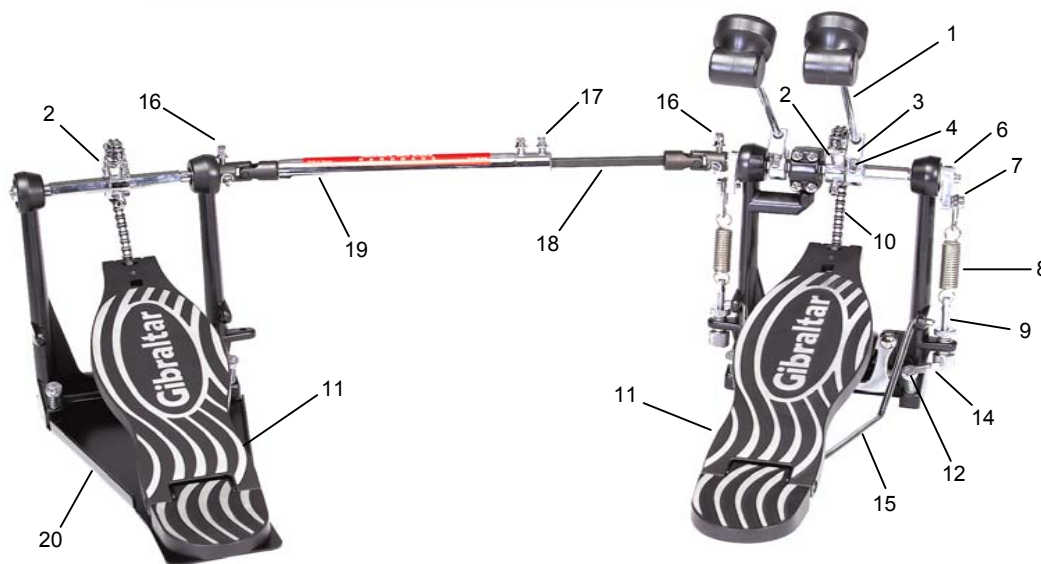
- A) Remove cardboard and plastic cover from pedal board.
- B) Insert the beater (SC-LBDB) into the beater holder (GP-6064) and adjust it to your desired height.
- C) Insert the pedal spring (SC-0052) onto the spring cam roller (GP-0051) using the clip attached to the spring.
- D) To adjust the spring tension to your desired response, loosen both upper and lower finger nuts to increase or decrease the tension, then re-tighten the finger nuts.
- E) Slide the pedal frame onto the bass drum hoop then tighten the hoop clamp (GP-6065) onto the bass drum hoop.
- F) To avoid pedal slippage and bass drum movement, we recommend placing the bass drum and pedal onto a carpeted surface.
- G) Lubricate metal-to-metal contact points periodically to insure smooth operation. We suggest #SC-GLO Gibraltar Pedal Lubricant.

Gibraltar 5600 Series Hardware



Setup Instructions 5611DB Series Double Pedal

- A) Remove cardboard and plastic cover from pedal boards and attach the Radius Rod (GP-4018) to the primary frame.
- B) Insert the connecting rod assembly into the right and left axles on each end of the pedal frames. Adjust the extension rod to the desired length.
- C) Insert the beaters (SC-LBDB) into the beater holders and adjust to the desired height.
- D) Insert the pedal spring (SC-0052) onto the spring cam roller (GP-0051) using the clip attached to the spring.
- E) To adjust the spring tension to your desired response, loosen both upper and lower finger nuts to increase or decrease the tension, then re-tighten the finger nuts.
- F) Slide the pedal frame onto the bass drum hoop then tighten the hoop clamp (GP-6065) onto the bass drum hoop.
- G) To avoid pedal slippage and bass drum movement, we recommend placing the bass drum and pedal onto a carpeted surface.
- H) Lubricate metal-to-metal contact points periodically to insure smooth operation. We suggest #SC-GLO Gibraltar Pedal Lubricant.



Replacement Part Numbers

- 1 - SC-LBDB Light Weight BD Beater
- 2 - GP-6063 Single Chain Cam
- 3 - GP-6064 Beater Holder
- 4 - SC-0121 Key Screw 8mm
- 5 - SC-0129 Key Screw 6mm
- 6 - GP-4072 Spring Cam Assembly
- 7 - GP-0051 Spring Cam Roller with Screw
- 8 - GP-0052 Pedal Spring
- 9 - GP-0053 Spring Tension Assembly
- 10 - GP-6010 Single Chain Assembly
- 11 - GP-6033 Pedal Board Complete
- 12 - GP-0020 Anchor Spur Assembly
- 13 - GP-6065 Black Hoop Clamp
- 14 - GP-6066 Hoop Clamp Key Screw 8mm
- 15 - GP-4018 Radius Rod Assembly
- 16 - SC-0128 Fastening Screw 5mm
- 17 - SC-0129 Fastening Screw 6mm
- 18 - GP-0067 Connecting Rod w/ U-Joint
- 19 - GP-0066 Connecting Shaft w/ U-Joint
- 20 - GP-6067 Fixed Rock Plate

Check out the entire line of
Gibraltar Hardware products at ...
www.GibraltarHardware.com



KAMAN
music corporation