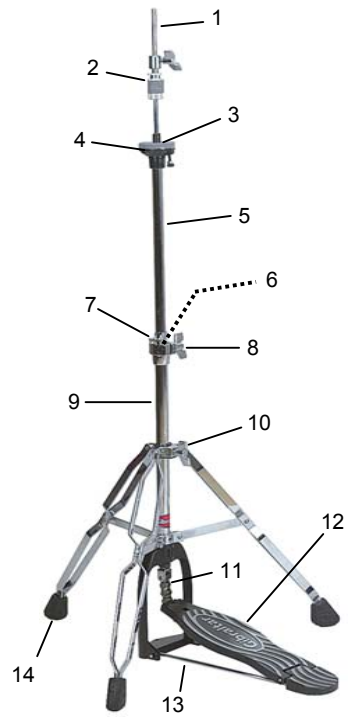


Gibraltar 4600 Series Hardware



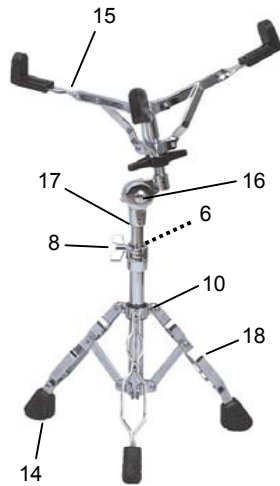
Check out the entire line of
Gibraltar Hardware products at ...
www.GibraltarHardware.com

KAMAN
music corporation



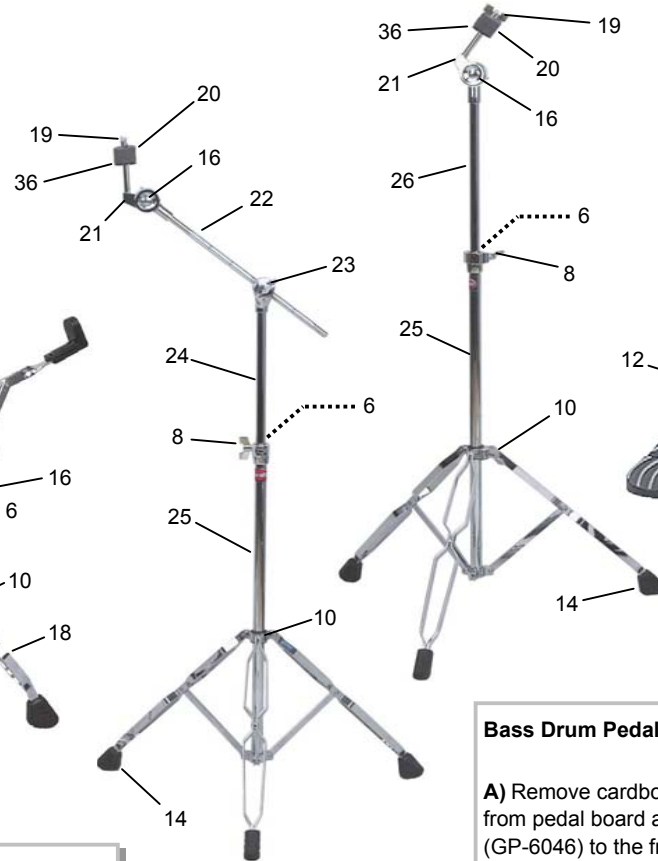
Hi-Hat Stand Setup Instructions

- Remove cardboard and plastic cover from pedal board and attach the radius rod (GP-0021) to the frame.
- Unfold and adjust the tripod legs to be flush to the ground and slightly raise the middle frame.
- Screw the upper pull rod (GP-0016) into the lower base pull rod stem.
- Place the upper height adjust tube (GP-6028) into the base and adjust to the desired position. Use the fitted memory lock (RP-0005) on the tube to retain this position.
- Place the bottom hi-hat cymbal onto the hi-hat stand cup felt (SC-HHCF) facing upwards.
- Place the top hi-hat cymbal into the hi-hat clutch (GP-4421D), inserting it between the two small felts on the clutch, then slip it onto the upper pull rod.
- Secure the upper hi-hat cymbal with clutch onto the pull rod leaving approximately 1" spacing between the upper and lower hi-hat cymbals, then adjust to the desired spacing.



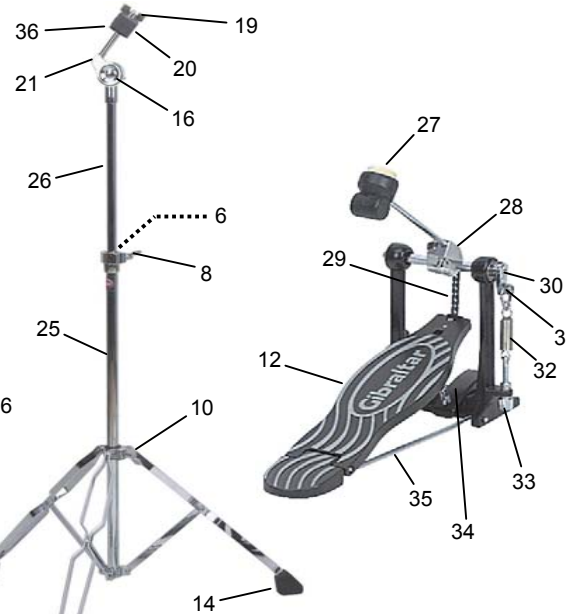
Snare Stand Setup Instructions

- Open the tripod base of the snare stand (GP-6037) and place it in an upright position.
- Insert the upper snare tube (GP-6036) into the stand base.
- Open the snare basket (GP-6035) to fit the snare drum to be used.
- Once the snare drum is placed in the basket, tighten the basket to secure the drum. Be aware that over tightening the basket may choke the drum sound, limiting the response.



Cymbal Stand Setup Instructions

- Open the tripod stand base (GP-6042) of the cymbal stand and place it in an upright position.
- Insert the upper cymbal tube into the stand base.
- Insert the boom arm, 4609 only, into the upper tilter eyebolt assembly.
- Use the tilter on the upper height adjust tube and, or, the boom arm to position your cymbal to the desired angle.



Bass Drum Pedal Setup Instructions

- Remove cardboard and plastic cover from pedal board and attach the radius rod (GP-6046) to the frame.
- Insert the beater (SC-LBDB) into the beater holder (GP-6044) and adjust it to your desired height.
- Insert the pedal spring (SC-0052) onto the spring cam roller (GP-2082) using the clip attached to the spring.
- To adjust the spring tension to your desired response, loosen both upper and lower finger nuts to increase or decrease the tension, then re-tighten the finger nuts.
- Slide the pedal frame onto the bass drum hoop and tighten the hoop clamp (GP-6045) down to the bass drum hoop.
- To avoid pedal slippage and bass drum movement, place the bass drum and pedal onto a carpeted surface.
- Lubricate metal-to-metal contact points periodically to insure smooth operation. We suggest #SC-GLO Gibraltar Pedal Lubricant.

Replacement Part Numbers

- GP-0016 Upper Pull Rod
- SC-4421D Hi-Hat Clutch
- SC-HHCF Cup Felt
- SC-HHFW Flat Washer
- GP-6028 Upper Height Adjust Tube
- GP-6029 Nylon Inner Sleeve 5/8"
- RP-0005 Memory Lock
- GP-6030 Wing/Short Bolt Set 6mm
- GP-6031 Hi-Hat Stand Base
- SC-0009 Wing Bolt 8mm
- GP-6032 Hi-Hat Chain
- GP-6033 Pinned Footboard
- GP-0021 Radius Rod for HiHat
- GP-6034 Rubber Foot
- GP-6035 Snare Basket
- GP-6055 Wing Nut/Bolt Assembly 8mm
- GP-6036 Upper Height Adjust Tube
- GP-6037 Lower Base Assembly
- SC-13P2 Wing Nut 8mm
- SC-CFS/4 Small Cymbal felt
- GP-6038 Cymbal Tilter Assembly
- GP-6039 Knurled Boom Arm
- GP-6040 Eyebolt/Wing Nut Assm.
- GP-6041 5/8" Upper Height Adjust Tube
- GP-6042 Lower Base Assembly
- GP-6043 Upper Height Adjust Tube
- SC-LBDB Light Weight BD Beater
- GP-6044 Combo Chain/Btr Holder
- GP-6010 Single Chain Assembly
- GP-5172 Spring Cam Assembly
- GP-2082 Roller With Screw
- SC-0052 Pedal Spring
- GP-0053 Spring Tension Assembly
- GP-6045 Black Hoop Clamp
- GP-6046 Radius Rod For Pedal
- SC-19B Cymbal Sleeve 8mm